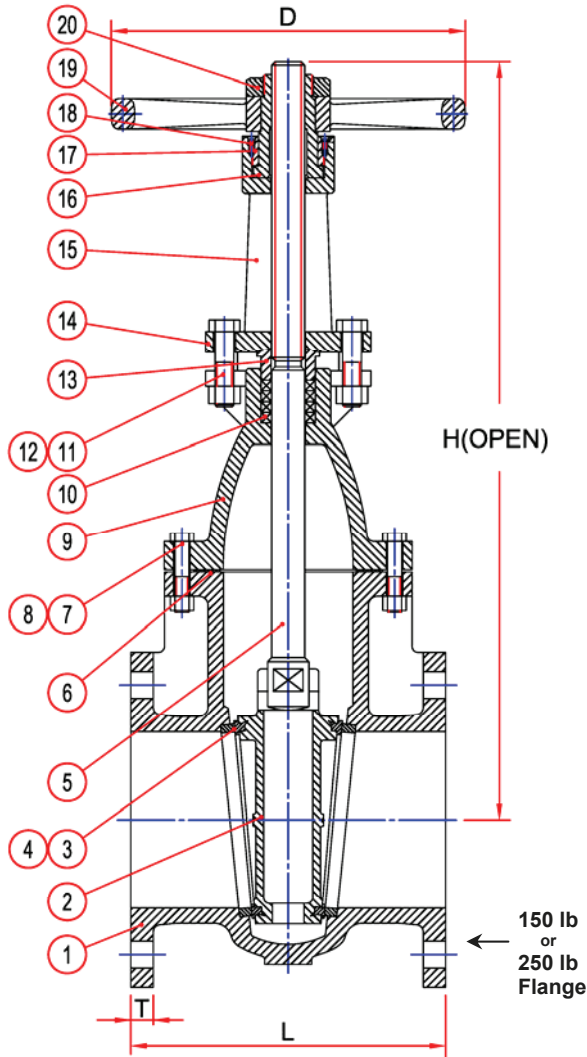


Metal Seated Gate Valve - Series 3700

AWWA C500 ▪ OS&Y Type ▪ FL x FL ▪ Sizes 2" - 16"



| No. | Part Name | Materials |
|-----|------------------|--------------------------------------|
| 1 | Body | Ductile Iron ASTM A536 65-45-12 |
| 2 | Wedge | Ductile Iron ASTM A536 65-45-12 |
| 3 | Body Seat | Bronze |
| 4 | Seat | Bronze |
| 5 | Stem | Stainless Steel, Bronze Available |
| 6 | Gasket | Stainless Steel |
| 7 | Bolt | Stainless Steel |
| 8 | Nut | Stainless Steel |
| 9 | Bonnet | Ductile Iron ASTM A536 65-45-12 |
| 10 | Packing | Graphite Non Asbestos |
| 11 | Bolt | Stainless Steel |
| 12 | Nut | Stainless Steel |
| 13 | Gland | Brass ASTM B16 |
| 14 | Gland Follower | Ductile Iron ASTM A536 65-45-12 |
| 15 | Yoke | Ductile Iron ASTM A536 65-45-12 |
| 16 | Stem Nut | Aluminum Bronze |
| 17 | Yoke Bushing Nut | Brass ASTM B16 |
| 18 | Screw | Stainless Steel |
| 19 | Handwheel | Ductile Iron ASTM A536 65-45-12 |
| 20 | Handwheel Nut | Chrome Plated Ductile Iron |

Features:

- Design and Materials Exceed AWWA C500.
- Flanges Conform to ANSI B16.1, Class 125. (ANSI B16.1, Class 250, Available).
- Stainless Steel Stem, Bronze available.
- Ductile Iron Handwheel or Automatic Actuators Available.

Dimensions:

| Size | Model | L | H (Open) | D | T 150 | T 250 | Approx. Weight |
|------|-------|---------|----------|--------|--------|--------|----------------|
| 2" | 3702 | 7" | 16" | 7" | 5/8" | 7/8" | 47# |
| 3" | 3703 | 8" | 19" | 7 1/2" | 3/4" | 1 1/8" | 60# |
| 4" | 3704 | 9" | 25" | 10" | 1" | 1 1/4" | 97# |
| 6" | 3706 | 10 1/2" | 33" | 12" | 1" | 1 1/2" | 161# |
| 8" | 3708 | 11 1/2" | 43 1/2" | 14" | 1 1/8" | 1 5/8" | 229# |
| 10" | 3710 | 13" | 48" | 16" | 1 1/4" | 1 7/8" | 388# |
| 12" | 3712 | 14" | 54" | 18" | 1 1/4" | 2" | 611# |
| 14" | 3714 | 15" | 63" | 20" | 1 5/8" | 2 1/8" | 749# |