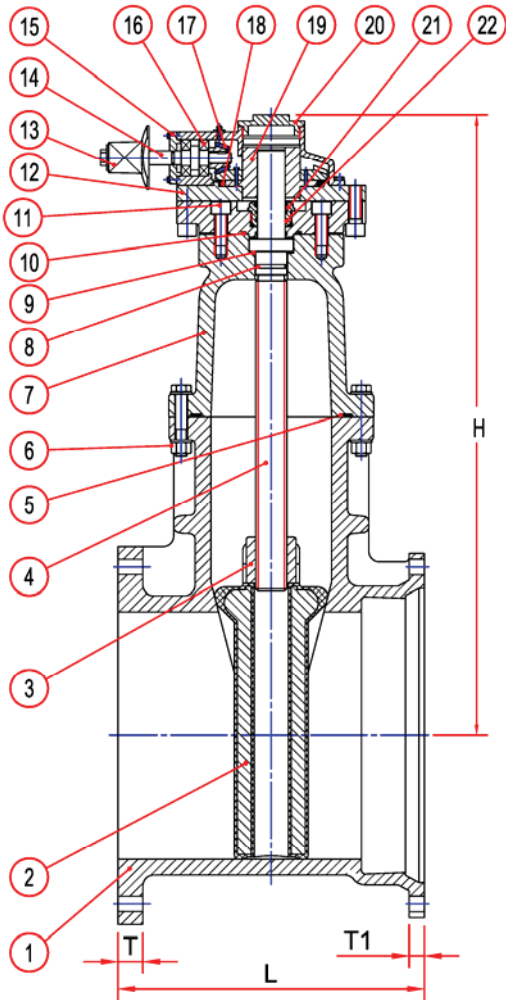


Resilient Seated Solid Wedge Gate Valve With Bevel Gear Operator - Series 6600

AWWA C509 & C515 ▪ NRS Type ▪ FL x MJ ▪ Sizes 18" - 24"



Spur gear configuration, available.
Gears can be rotated in 90° increments.

Features:

- Design and Materials Exceed AWWA C509, C515 & C550.
- Flanges Conform to ANSI B16.1, Class 125.
MJ Conforms to ANSI/AWWA .
- C509 Thick Wall Ductile Iron, Body, Bonnet, Gland.
- Fusion Bonded Epoxy Coatings In and Out per AWWA C550.
- Stainless Steel Nuts, Bolts, and Washers.
- Stainless Steel Stem, Bronze Available.
- Ductile Iron, EPDM Encapsulated Wedge.
- EPDM Gaskets and O-Rings.
- Available with Bypass.
- 2" AWWA Ductile Iron Operating Nut.

| No. | Part Name | Materials |
|-----|------------------|--------------------------------------|
| 1 | Body | Ductile Iron ASTM A536 65-45-12 |
| 2 | Wedge | Ductile Iron EPDM Encapsulated |
| 3 | Stem Nut | Aluminum Bronze |
| 4 | Stem | Stainless Steel, Bronze Available |
| 5 | O-Ring Gasket | EPDM |
| 6 | Bolt | Stainless Steel |
| 7 | Bonnet | Ductile Iron ASTM A536 65-45-12 |
| 8 | O-Ring | EPDM |
| 9 | Thrust Bearing | Copper |
| 10 | O-Ring | EPDM |
| 11 | Bolt | Stainless Steel |
| 12 | Bottom Cap | Cast Iron ASTM A126 Class B |
| 13 | 2" Operating Nut | Ductile Iron ASTM A536 65-45-12 |
| 14 | Shaft | Carbon Steel AISI 1045 |
| 15 | Pressure Cover | Cast Iron ASTM A126 Class B |
| 16 | Housing | Cast Iron ASTM A126 Class B |
| 17 | Bevel Gear | Carbon Steel AISI 1045 |
| 18 | Ball | Carbon Steel AISI 1045 |
| 19 | Driving Sleeve | Ductile Iron ASTM A536 65-45-12 |
| 20 | Top Cover | Cast Iron ASTM A126 Class B |
| 21 | Sealing Sleeve | Brass |
| 22 | O-Ring | EPDM |

Dimensions:

| Size | Model | L | H | T | T1 | Approx. Weight |
|------|-------|------|-----|-----|----|----------------|
| 18" | 6618 | 19" | 44" | 1½" | 1" | 1,210# |
| 20" | 6620 | 19⅝" | 52" | 1¾" | 1" | 1,670# |
| 24" | 6624 | 21⅝" | 58" | 1⅞" | 1" | 2,530# |