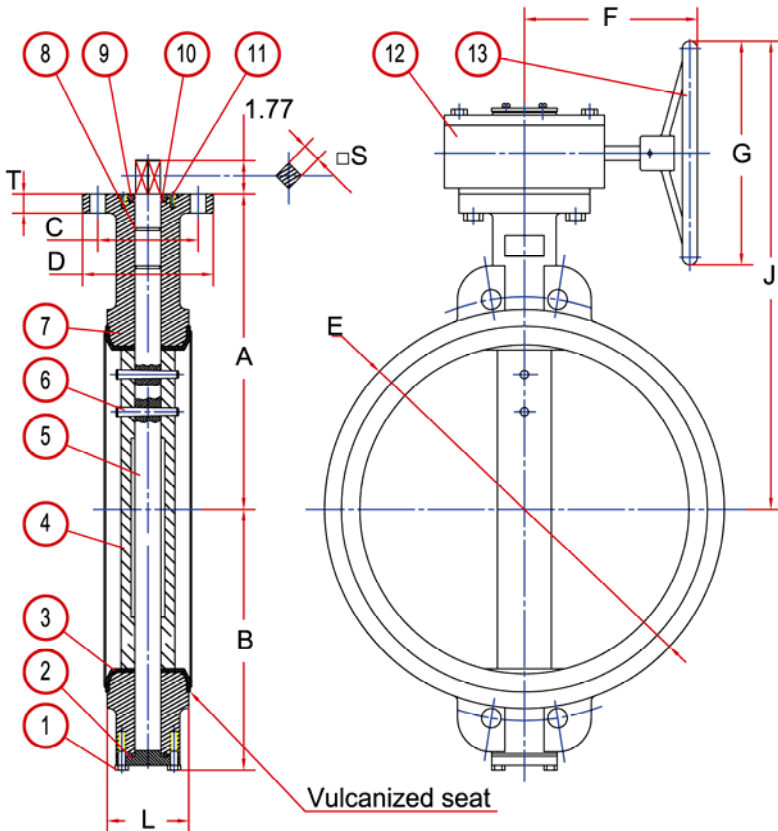


Wafer Butterfly Valve with Gear & Handwheel - Series 2300GH

150 PSI ▪ Wafer ▪ Sizes 14" - 24"



No.	Part Name	Materials
1	Bolt	Carbon Steel
2	O-Ring	EPDM / NBR / Viton
3	Seat	EPDM / NBR / Viton
4	Disc	Stainless Steel Bronze Ductile Iron: Chrome Plated Or FBE Coated
5	Stem	Stainless Steel
6	Pin	Stainless Steel
7	Body	Ductile Iron or Grey Iron
8	O-Ring	EPDM / NBR / Viton
9	Bushing	Teflon
10	O-Ring	EPDM / NBR / Viton
11	Bolt	Carbon Steel
12	Gear Box Assembly	
13	Handwheel	

Dimensions:

Size	Model	A	B	C	D	E	F	G	J	L	T	S	Approx. Weight
14"	2314GH	14½"	11"	5"	5¾"	15¾"	8¾"	11¾"	22¼"	3"	1"	¾"	148#
16"	2316GH	15¾"	12¼"	5½"	6¾"	18"	10½"	15¾"	26"	3½"	1"	1"	243#
18"	2318GH	16⅝"	13⅝"	5½"	6¾"	20⅝"	10½"	15¾"	26¾"	4¼"	1"	1"	289#
20"	2320GH	18¾"	15¼"	6½"	8¼"	23⅝"	9½"	15¾"	28¾"	5"	1"	1¾"	346#
24"	2324GH	22⅝"	17¼"	6½"	8¼"	27"	9½"	15¾"	32"	6"	1⅝"	1¾"	489#