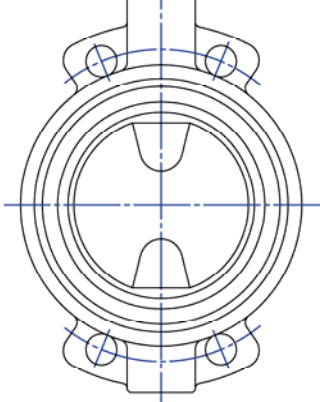
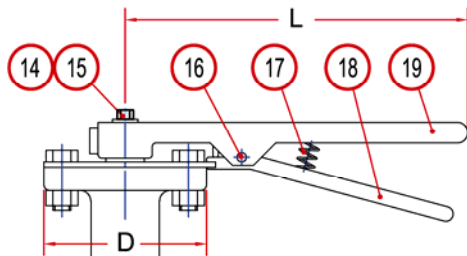
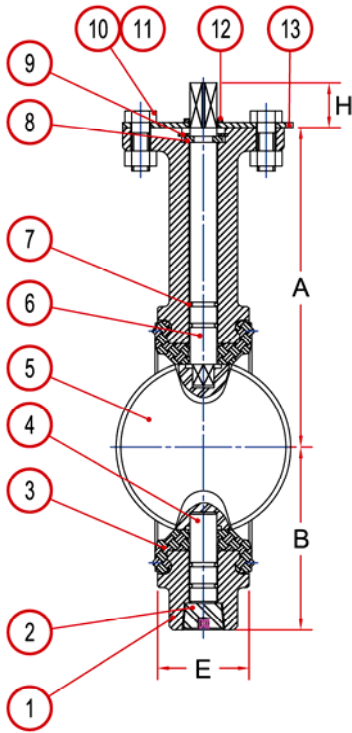


Wafer Butterfly Valve with Lever - Series 2300

200 PSI ▪ Wafer ▪ Sizes 2" - 12"



No.	Part Name	Materials
1	Body	Ductile Iron or Grey Iron
2	Plug	Carbon Steel
3	Seat	EPDM / NBR / Viton
4	Lower Shaft	Stainless Steel
5	Disc	Stainless Steel Bronze Ductile Iron:Chrome Plated Or FBE Coated
6	Upper Shaft	Stainless Steel
7	O-Ring	EPDM / NBR / Viton
8	Lock Plate	Brass
9	Snap Ring	Carbon Steel
10	Bolt	Carbon Steel
11	Nut	Carbon Steel
12	Washer	Carbon Steel
13	Indicator Plate	Carbon Steel
14	Bolt	Carbon Steel
15	Washer	Carbon Steel
16	Pin	Carbon Steel
17	Spring	Stainless Steel
18	Lever	Ductile Iron
19	Handle	Ductile Iron

Dimensions:

Size	Model	A	B	D	E	L	H	Approx. Weight
2"	2302	6 ³ / ₈ "	3 ¹ / ₈ "	3 ¹ / ₂ "	1 ⁵ / ₈ "	10 ³ / ₈ "	1 ¹ / ₈ "	10#
2 ¹ / ₂ "	2325	6 ⁷ / ₈ "	3 ¹ / ₂ "	3 ¹ / ₂ "	1 ³ / ₄ "	10 ³ / ₈ "	1 ¹ / ₈ "	12#
3"	2303	7 ¹ / ₈ "	3 ³ / ₄ "	3 ¹ / ₂ "	1 ¹ / ₂ "	10 ³ / ₈ "	1 ¹ / ₈ "	13#
4"	2304	7 ⁷ / ₈ "	4 ¹ / ₂ "	3 ¹ / ₂ "	2"	10 ³ / ₈ "	1 ¹ / ₈ "	14#
5"	2305	8 ¹ / ₂ "	5 ¹ / ₄ "	3 ¹ / ₂ "	2 ¹ / ₄ "	10 ³ / ₈ "	1 ¹ / ₈ "	22#
6"	2306	8 ³ / ₈ "	5 ¹ / ₂ "	3 ¹ / ₂ "	2 ¹ / ₄ "	12 ¹ / ₂ "	1 ¹ / ₈ "	27#
8"	2308	9 ¹ / ₂ "	6 ³ / ₈ "	3 ¹ / ₂ "	2 ³ / ₈ "	12 ¹ / ₂ "	1 ¹ / ₈ "	38#
10"	2310	11 ⁵ / ₈ "	7 ⁷ / ₈ "	3 ¹ / ₂ "	2 ³ / ₄ "	12 ¹ / ₂ "	1 ¹ / ₈ "	58#
12"	2312	13 ¹ / ₄ "	9 ¹ / ₄ "	3 ¹ / ₂ "	3 ¹ / ₈ "	16 ³ / ₈ "	1 ¹ / ₈ "	80#