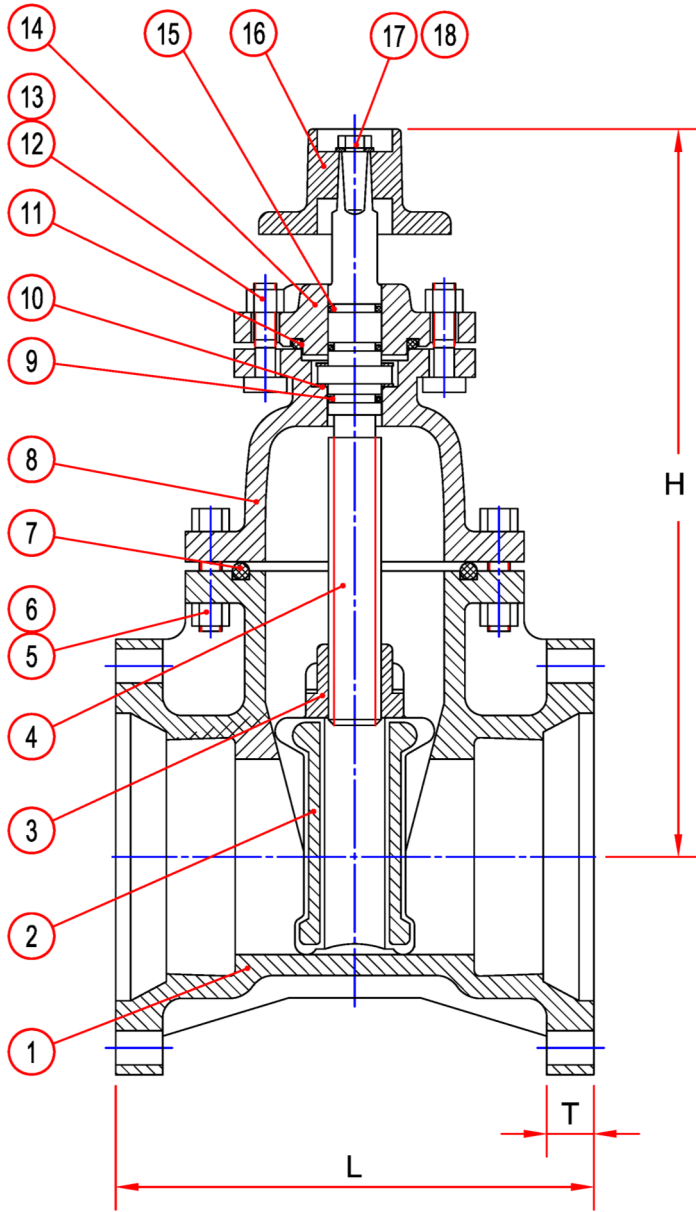


# Resilient Seated Solid Wedge Gate Valve - Series 6900.5

AWWA C515 ▪ NRS Type ▪ Mechanical Joint ▪ Sizes 2" - 16"



No.	Part Name	Materials
1	Body	Ductile Iron ASTM A536 65-45-12
2	Wedge	Ductile Iron EPDM Encapsulated
3	Stem Nut	Aluminum Bronze
4	Stem	Stainless Steel, Bronze Available
5	Nut	Stainless Steel
6	Bolt	Stainless Steel
7	O-Ring Gasket	EPDM
8	Bonnet	Ductile Iron ASTM A536 65-45-12
9	O-Ring	EPDM
10	Thrust Bearing	Copper
11	O-Ring	EPDM
12	Bolt	Stainless Steel
13	Nut	Stainless Steel
14	Gland	Ductile Iron ASTM A536 65-45-12
15	O-Ring	EPDM
16	2" Operating Nut	Ductile Iron ASTM A536 65-45-12
17	Bolt	Stainless Steel
18	Washer	Stainless Steel

## Dimensions:

Size	Model	L	H	T	Approx. Weight
2"	6902.5	8"	9 <sup>7</sup> / <sub>8</sub> "	1"	45#
2½"	6925.5	8½"	11"	1"	52#
3"	6903.5	9"	13½"	1"	67#
4"	6904.5	10"	15½"	1"	94#
5"	6905.5	11"	16½"	1"	131#
6"	6906.5	11½"	18¼"	1"	140#
8"	6908.5	12½"	22½"	1"	210#
10"	6910.5	14¾"	25½"	1"	356#
12"	6912.5	14 <sup>7</sup> / <sub>8</sub> "	30½"	1¼"	540#
14"	6914.5	17"	34½"	1¼"	716#
16"	6916.5	17"	40¼"	1¼"	1,168#

## Features:

- Design and Materials Exceed AWWA C515
- C515 Thin Wall Ductile Iron: Body, Bonnet, and Gland.
- MJ Ends Conform to ANSI 21.11/ AWWA C111
- Fusion Bonded Epoxy Coatings In and Out per AWWA C550
- Stainless Steel Nuts, Bolts and Washers.
- Stainless Steel Stem, Bronze Available
- Ductile Iron, EPDM Encapsulated Wedge.
- EPDM Gaskets and O-Rings.
- 200 PSI Working Pressure.

(MJ Accessories Sold Separately)

<b>J &amp; S Valve®</b> 2323 1st Street, Huffman, TX 77336 281-324-3990	<b>AWWA C515</b>	
	<b>Working Pressure: 200 psi</b>	
	RSGV	Model: 6900.5    Rev: 0
Drawing: 6902.5-16		