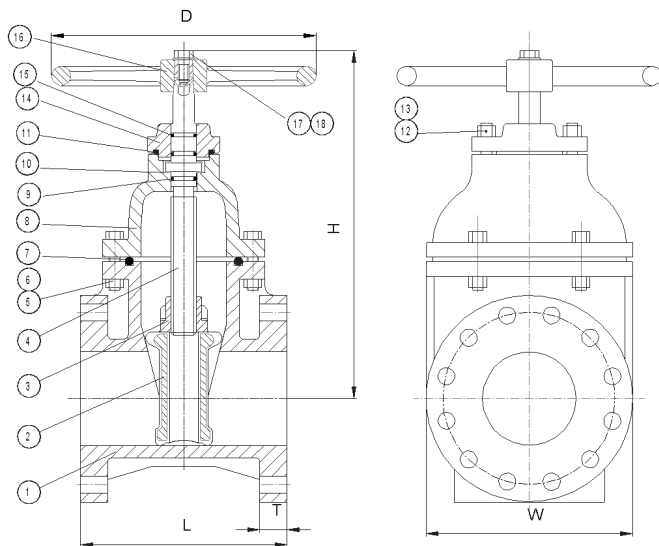


# 350 PSI C509/C515 RESILIENT SEATED SOLID WEDGE GATE VALVE



## FEATURES

- Conforms to AWWA C509/C515
- Working Pressure 350psi
- Higher Working Pressure Available
- Seat Tested at 350psi With Zero Leakage
- Shell Tested at 700psi With Zero Leakage
- Flanges comply With ASME B16.1 Class 250, Rated up to 500psi at Ambient Temperature
- Fusion Bonded Epoxy Coating In and Out In Compliance With AWWA C550
- Raised Face Flanges Available
- 4" to 12" Fully-Encapsulated Wedges
- Triple O-Ring Seals
- Double Brass Thrust Washers
- Smooth Oversized Waterway
- Valve Is Certified To ANSI/SNF 61 & 372
- Ductile Iron Body, Bonnet, Wedge, Handwheel Or Nut and Gland



No.	Part Name	Material
1	Body	Ductile Iron ASTM A536 65-45-12
2	Wedge	Ductile Iron EPDM Encapsulated
3	Stem Nut	Bronze
4	Stem	Stainless Steel
5	Bolt	Stainless Steel
6	Nut	Stainless Steel
7	Gasket	EPDM
8	Bonnet	Ductile Iron ASTM A536 65-45-12
9	O-Ring	EPDM
10	Washer	Brass, ASTM B16
11	O-Ring	EPDM
12	Bolt	Stainless Steel
13	Nut	Stainless Steel
14	Gland	Ductile Iron ASTM A536 65-45-12
15	O-Ring	EPDM
16	Handwheel	Ductile Iron ASTM A536 65-45-12
17	Bolt	Stainless Steel
18	Nut	Stainless Steel

## DIMENSIONS SERIES 6000-350 NRS GATE VALVE

Size.	Model	L	H	D	T
4"	6804-300	9"	12"	10"	1 1/4"
6"	6806-300	10 1/2"	16 1/2"	12"	1 1/2"
8"	6808-300	11 1/2"	20 5/8"	14"	1 5/8"
10"	6810-300	13"	24 1/2"	16"	1 7/8"
12"	6812-300	14"	28"	16"	2"