

350 PSI SOLID WEDGE GATE VALVE

METAL SEATED - AWWA C500

RESILIENT SEATED - AWWA C509/C515

SIZE 4" - 12"



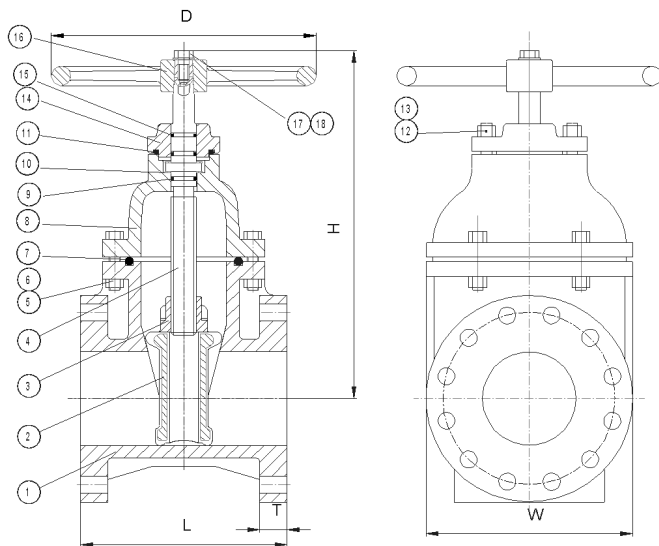
J&S Valve

350 PSI C509/C515 RESILIENT SEATED SOLID WEDGE GATE VALVE



FEATURES

- Conforms to AWWA C509/C515
- Working Pressure 350psi
- Higher Working Pressure Available
- Seat Tested at 350psi With Zero Leakage
- Shell Tested at 700psi With Zero Leakage
- Flanges comply With ASME B16.1 Class 250, Rated up to 500psi at Ambient Temperature
- Fusion Bonded Epoxy Coating In and Out In Compliance With AWWA C550
- Raised Face Flanges Available
- 4" to 12" Fully-Encapsulated Wedges
- Triple O-Ring Seals
- Double Brass Thrust Washers
- Smooth Oversized Waterway
- Valve Is Certified To ANSI/SNF 61 & 372
- Ductile Iron Body, Bonnet, Wedge, Handwheel Or Nut and Gland



No.	Part Name	Material
1	Body	Ductile Iron ASTM A536 65-45-12
2	Wedge	Ductile Iron EPDM Encapsulated
3	Stem Nut	Bronze
4	Stem	Stainless Steel
5	Bolt	Stainless Steel
6	Nut	Stainless Steel
7	Gasket	EPDM
8	Bonnet	Ductile Iron ASTM A536 65-45-12
9	O-Ring	EPDM
10	Washer	Brass, ASTM B16
11	O-Ring	EPDM
12	Bolt	Stainless Steel
13	Nut	Stainless Steel
14	Gland	Ductile Iron ASTM A536 65-45-12
15	O-Ring	EPDM
16	Handwheel	Ductile Iron ASTM A536 65-45-12
17	Bolt	Stainless Steel
18	Nut	Stainless Steel

DIMENSIONS SERIES 6000-350 NRS GATE VALVE

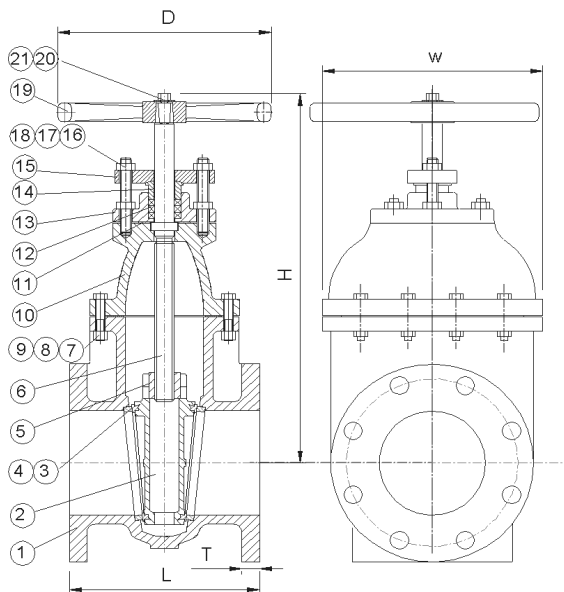
Size.	Model	L	H	D	T
4"	6804-300	9"	12"	10"	1 1/4"
6"	6806-300	10 1/2"	16 1/2"	12"	1 1/2"
8"	6808-300	11 1/2"	20 5/8"	14"	1 5/8"
10"	6810-300	13"	24 1/2"	16"	1 7/8"
12"	6812-300	14"	28"	16"	2"

350 PSI C500 METAL SEATED SOLID WEDGE GATE VALVE



FEATURES

- Conforms to AWWA C500
- Standard Working Pressure 300psi
- Higher Working Pressure Available
- Seat Tested at 350psi
- Shell Tested at 700psi
- Flanges comply with ASME B16.1 Class 250, Rated up to 500psi at Ambient Temperature
- Epoxy Coating In and Out in Compliance With AWWA C550
- Raised Face Flanges Available
- 4" to 12" Solid Wedges
- Triple O-Ring Seals
- Double Brass Thrust Washers
- Smooth Oversized Waterway
- Valve is Certified To ANSI/NSF 61 and 372
- Ductile Iron Body, Bonnet, Wedge, Handwheel or Nut and Gland Follower.



No.	Part Name	Material
1	Body	Ductile Iron ASTM A536 65-45-12
2	Wedge	Ductile Iron ASTM A536 65-45-12
3	Body Seat	Bronze
4	Seat	Bronze
5	Stem Nut	Bronze
6	Stem	Stainless Steel
7	Bolt	Stainless Steel
8	Nut	Stainless Steel
9	Washer	Stainless Steel
10	Bonnet	Ductile Iron ASTM A536 65-45-12
11	Gasket	Graphite - Non Asbestos
12	Packing	Graphite - Non Asbestos
13	Packing Box	Ductile Iron ASTM A536 65-45-12
14	Gland	Brass, ASTM B16
15	Gland Follower	Ductile Iron ASTM A536 65-45-12
16	Nut	Stainless Steel
17	Bolt	Stainless Steel
18	Washer	Stainless Steel
19	Handwheel	Ductile Iron ASTM A536 65-45-12
20	Bolt	Stainless Steel
21	Washer	Stainless Steel

DIMENSIONS SERIES 3800-350 NRS GATE VALVE

Size.	Model	L	H	D	T
4"	3804-300	9"	13 7/8"	10"	1 1/4"
6"	3806-300	10 1/2"	18 1/8"	12"	1 1/2"
8"	3808-300	11 1/2"	22 1/2"	14"	1 5/8"
10"	3810-300	13"	25 5/8"	16"	1 3/4"
12"	3812-300	14"	29 1/2"	16"	2"

IMPROVING THE INDUSTRY STANDARD.



INSTALL RELIABILITY. INSTALL J&S VALVE

J&S Valve shows its commitment to providing quality products by manufacturing with high grade materials and extensive testing of its valves. J&S is a leader in the Waterworks Industry. We provide products and services that consistently exceed our customers' needs as they relate to quality, performance, dependability, operation, and delivery.



2323 1st Street Huffman, Texas 77336

T: 281.324.3990 | F: 281.324.6879 | E: Sales@jandsvalve.com

JANDSVALVE.COM