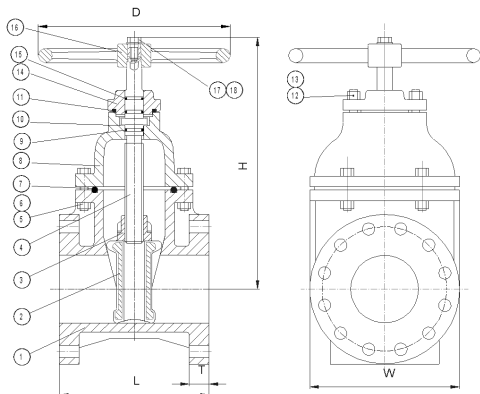


# 350 PSI C509/C515 RESILIENT SEATED SOLID WEDGE GATE VALVE



## DIMENSION SERIES 6800 350 NRS GATE VALVE

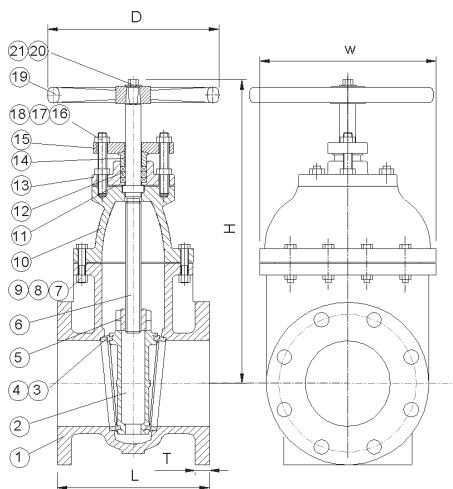
| SIZE | MODEL    | L       | H       | D   | T      |
|------|----------|---------|---------|-----|--------|
| 4"   | 6804-300 | 9"      | 12"     | 10" | 1 1/4" |
| 6"   | 6806-300 | 10 1/2" | 16 1/2" | 12" | 1 1/2" |
| 8"   | 6808-300 | 11 1/2" | 20 5/8" | 14" | 1 5/8" |
| 10"  | 6810-300 | 13"     | 24 1/2" | 16" | 1 7/8" |
| 12"  | 6812-300 | 14"     | 28"     | 16" | 2"     |

Larger Sizes Available, Contact Us.

### FEATURES

- Conform to AWWA C509 and C515
- Working Pressure 350psi
- Higher Working Pressure Available
- Seat Tested at 350 psi
- Shell Tested at 700psi
- Flanges comply With ASME B16.1 Class 250, Rated up to 500 psi at Ambient Temperature
- Fusion Bonded Epoxy Coating In and Out In Compliance With AWWA C550
- Raised Face Flanges Available
- 4" to 12" Fully-Encapsulated Wedges
- Triple O-Ring Seals
- Double Brass Thrust Washers
- Smooth Oversized Waterway
- Valve Is Certified To NSF/ANSI 61 & 372
- Ductile Iron Body, Bonnet, Wedge, Handwheel Or Nut and Seal Plate

# 350 PSI C500 METAL SEATED SOLID WEDGE GATE VALVE



## DIMENSION SERIES 3800 350 NRS GATE VALVE

| SIZE | MODEL    | L       | H       | D   | T      |
|------|----------|---------|---------|-----|--------|
| 4"   | 3804-300 | 9"      | 13 7/8" | 10" | 1 1/4" |
| 6"   | 3806-300 | 10 1/2" | 18 1/8" | 12" | 1 1/2" |
| 8"   | 3808-300 | 11 1/2" | 22 1/2" | 14" | 1 5/8" |
| 10"  | 3810-300 | 13"     | 25 5/8" | 16" | 1 3/4" |
| 12"  | 3812-300 | 14"     | 29 1/2" | 16" | 2"     |

Larger Sizes Available, Contact Us.

### FEATURES

- Conforms to AWWA C500
- Standard Working Pressure 350psi
- Higher Working Pressure Available
- Seat Tested at 350psi
- Shell Tested at 700psi
- Flanges comply with ASME B16.1 Class 250, Rated up to 500 psi at Ambient Temperature
- Fusion Bonded Epoxy Coating In and Out in Compliance With AWWA C550

Design and Materials Subject to Change Without Notice. Call for Verification and Any Updated Drawings