

AWWA DOUBLE ECCENTRIC BUTTERFLY VALVE SEAT ON DISC

**2800SD & 2900SD
SIZES: 3" - 96"**

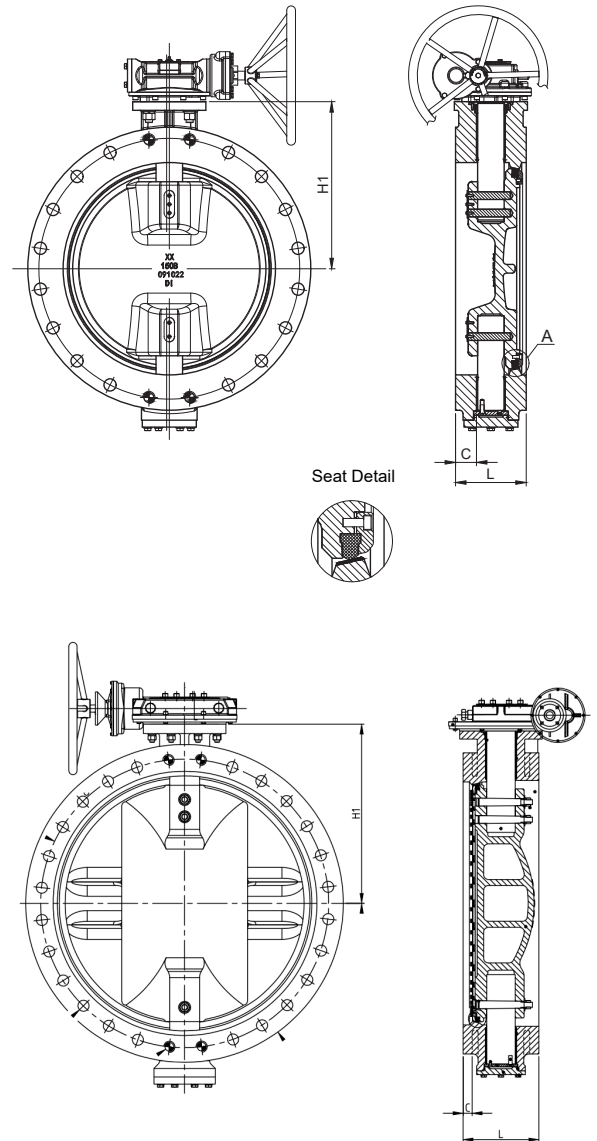


 **J&S Valve**

SERIES 2800SD FLG X FLG

AWWA DOUBLE ECCENTRIC BUTTERFLY VALVE - 3" TO 96"

PART NAME	MATERIALS	SPECIFICATION
Gland	Ductile Iron	ASTM A536 65-45-12
Top Bearing	Fiberglass Resin Bock+Teflon Line	
Upper Stem	Stainless Steel	316 SS
Hex Bolt	Stainless Steel	316 SS
Washer	Stainless Steel	316 SS
Body	Ductile Iron	ASTM A536 65-45-12
Taper Pin	Stainless Steel	630 SS
Bottom Stem	Stainless Steel	316 SS
O-Ring	Rubber	EPDM
Thrust Ring	Bronze	ASTM B62 C83600
Hex Bolt	Stainless Steel	316 SS
Washer	Stainless Steel	316 SS
Bottom Cover	Carbon Steel	45#
O-Ring	Rubber	EPDM
Bottom Bearing	Fiberglass Resin Bock+Teflon Line	
Socket Screw	Stainless Steel	316 SS
Retaining Ring	Stainless Steel	316 SS
Body Seat	Stainless Steel	316 SS
Disc Seat	Rubber	EPDM
Disc	Ductile Iron	ASTM A536 65-45-12
O-Ring	Rubber	EPDM
Support Ring		PTFE
V-Packing	Rubber	EPDM
Sunk Screw	Stainless Steel	316 SS
Gear Box		



DIMENSIONS 2800SD FLG x FLG

SIZE	3"	4"	6"	8"	10"	12"	14"	16"	18"	20"	24"
L	5"	5"	5"	6"	8"	8"	8"	8"	8"	8"	8"
H1	4 3/4"	6 3/8"	7 3/8"	8 3/4"	9 5/8"	11 5/8"	12 7/8"	14 3/4"	15 3/8"	17 1/8"	18 7/8"
C	3/4"	1"	1"	1 1/8"	1 1/4"	1 1/4"	1 3/8"	1 1/2"	1 1/2"	1 3/4"	1 7/8"

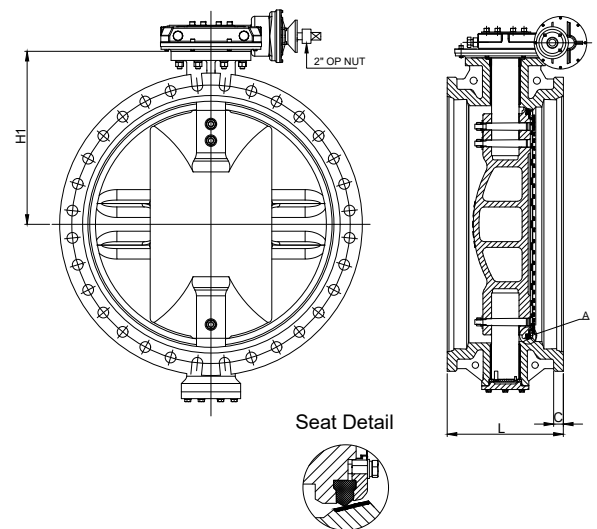
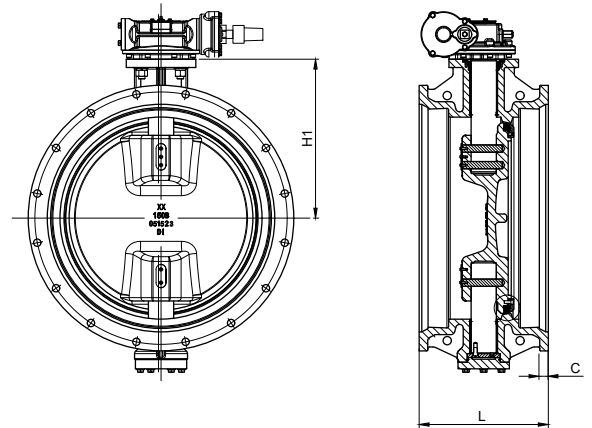
SIZE	30"	36"	42"	48"	54"	60"	66"	72"	78"	84"	90"	96"
L	12"	12"	12"	15"	15"	15"	18"	18"	18"	19"	20"	21"
H1	22 1/2"	26 3/4"	29 7/8"	34 1/8"	36"	38"	46"	52 1/2"	52 1/2"	76 1/4"	60 5/8"	60 5/8"
C	2 1/8"	2 3/8"	2 5/8"	2 3/4"	3"	3 1/8"	3 3/8"	3 1/2"	3 5/8"	3 7/8"	4"	4 1/4"

Larger Sizes Available. Design and Materials Subject to Change Without Notice. Call for Verification and Any Updated Drawings

SERIES 2900SD MJ X MJ

AWWA DOUBLE ECCENTRIC BUTTERFLY VALVE - 3" TO 48"

PART NAME	MATERIALS	SPECIFICATION
Gland	Ductile Iron	ASTM A536 65-45-12
Top Bearing	Fiberglass Resin Bock+Teflon Line	
Body	Ductile Iron	ASTM A536 65-45-12
Hex Bolt	Stainless Steel	316 SS
Washer	Stainless Steel	316 SS
Upper Stem	Stainless Steel	316 SS
Disc	Ductile Iron	ASTM A536 65-45-12
Bottom Stem	Stainless Steel	316 SS
Taper Pin	Stainless Steel	630 SS
Bottom Bearing	Fiberglass Resin Bock+Teflon Line	
Counter Head Screw	Stainless Steel	316 SS
O-Ring	Rubber	EPDM
Hex Bolt	Stainless Steel	316 SS
Washer	Stainless Steel	316 SS
Bottom Cover	Carbon Steel	45#
Thrust Ring	Bronze	ASTM B62 C83600
Set Screw	Stainless Steel	316 SS
Hex Bolt	Stainless Steel	316 SS
Washer	Stainless Steel	316 SS
Seat Retaining Segment	Stainless Steel	ASTM A351 CF8
Body Seat	Stainless Steel	316 SS
Disc Seat	Rubber	EPDM
O-Ring	Rubber	EPDM
Support Ring		PTFE
V-Packing	Rubber	EPDM
Gear Box		



DIMENSIONS 2900SD MJ x MJ

SIZE	3"	4"	6"	8"	10"	12"	14"	16"	18"	20"	24"
L	5"	5"	5"	6"	8"	8"	8"	8"	8"	8"	8"
H1	4 3/4"	6 3/8"	7 3/8"	8 3/4"	9 5/8"	11 5/8"	12 7/8"	14 3/4"	15 3/8"	17 1/8"	18 7/8"
C	3/4"	1"	1"	1 1/8"	1 1/4"	1 1/4"	1 3/8"	1 1/2"	1 1/2"	1 3/4"	1 7/8"

SIZE	30"	36"	42"	48"
L	20"	22"	22"	24"
H1	22 3/8"	26 7/8"	29 7/8"	34 1/8"
C	1 3/8"	1 1/2"	1 1/2"	1 1/2"

Larger Sizes Available. Design and Materials Subject to Change Without Notice. Call for Verification and Any Updated Drawings

IMPROVING THE INDUSTRY STANDARD.



INSTALL RELIABILITY. INSTALL J&S VALVE

J&S Valve shows its commitment to providing quality products by manufacturing with highest grade materials and extensive testing of its valves. J&S is a leader in the Waterworks Industry. We provide products and services that consistently exceed our customers' needs as they relate to quality, performance, dependability, operation, and delivery.



2323 1st Street Huffman, Texas 77336

T: 281.324.3990 | F: 281.324.6879 | E: Sales@jandsvalve.com

JANDSVALVE.COM