

SERIES 7000 METAL SEATED ROLLING DOUBLE DISC AWWA C500

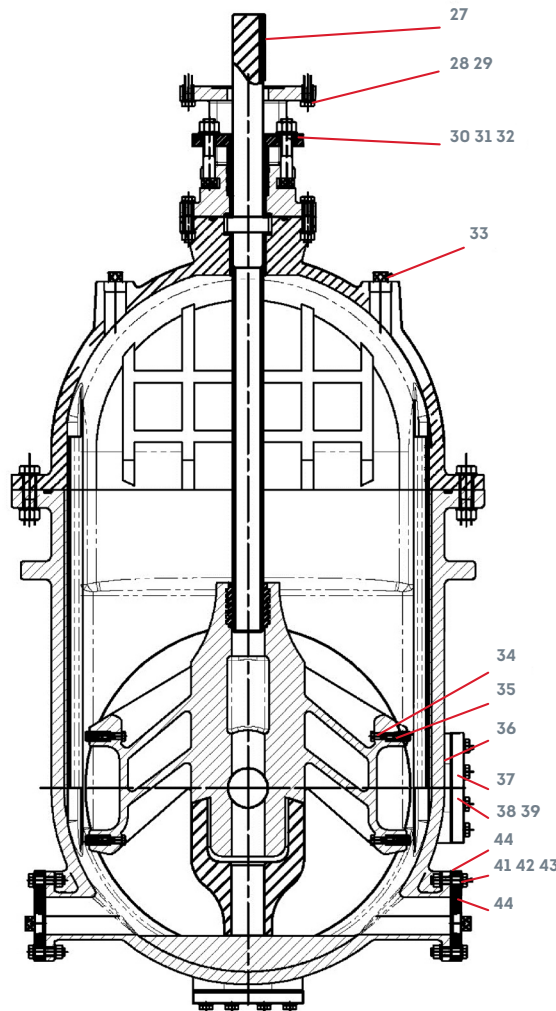
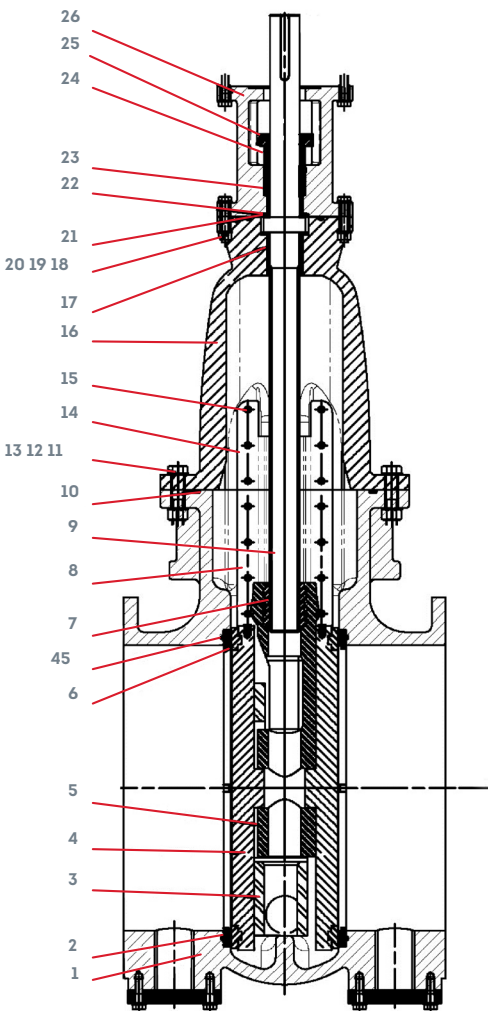


The rolling double disc type gate valve is known as the best AWWA - Iron Body Bronze Mounted (IBBM) parallel seat gate valve ever designed. Originally designed in the early 1900's the design has passed the test of time. J&S Valve enhanced the original design by adding stainless steel U-shaped tracks on both sides of the body to guide the rolling discs throughout their full-travel from open-to-close. J&S upgraded cast parts to ductile iron and selected low-zinc aluminum bronze for the seat rings and stem nut.

MODEL 7700 - FLXFL, OS&Y
SIZES: 3" - 108"

MODEL 7900 - MJXMJ, NRS
SIZES: 3" - 48"

MODEL 7800 - FLXFL, NRS
SIZES: 3" - 108"



No.	Part Name
1	Body
2	Body Seat Ring
3	Lower Wedge
4	Disc
5	Upper Wedge
6	Disc Ring
7	Upper Wedge Bushing
8	Body Track
9	Stem
10	Gasket
11	Nut
12	Washer
13	Bolt
14	Bonnet Track
15	Screw
16	Bonnet
17	Bonnet Bushing
18	Nut
19	Washer
20	Bolt
21	O-Ring
22	Yoke Bushing
23	Packing
24	Follower Gland
25	Follower Flange
26	Yoke
27	Key
28	Washer
29	Bolt
30	Washer
31	Bolt
32	Nut
33	Plug
34	Bolt
35	Scraper
36	Gasket
37	Bypass Cover Plate
38	Washer
39	Bolt
40	Gasket
41	Nut
42	Washer
43	Bolt
44	Clean Out Ports Cover Plate
45	O-Ring



WATER QUALITY
ANSI/NSF 61
ANSI/NSF 372



AWWA
Compliant

Design and Materials Subject to Change Without Notice. Call for Verification and Any Updated Drawings