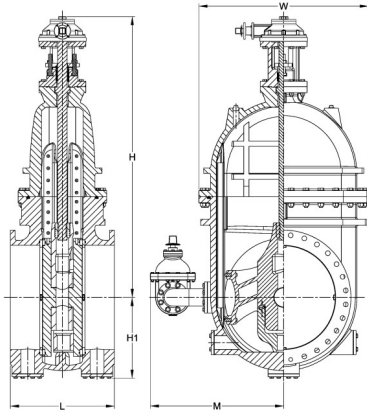
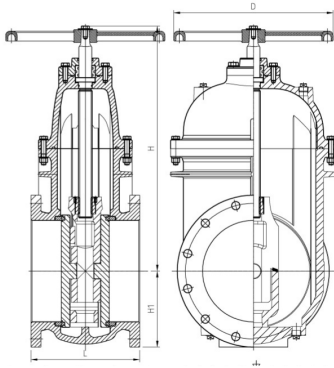


SERIES 7800 ROLLING DOUBLE DISC GATE VALVE - FLANGE - NRS - AWWA C500

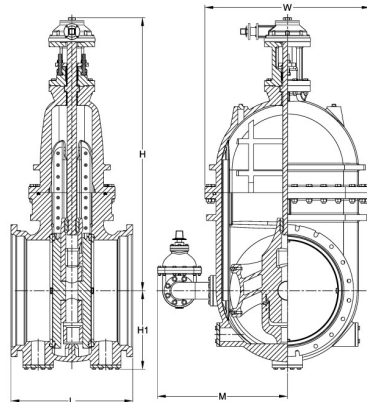
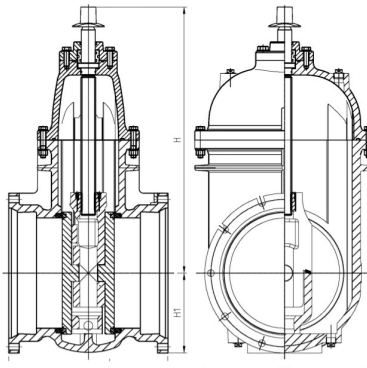


SIZE	MODEL	L	D	H	H1
3"	7803	8"	10"	13 1/2"	3 7/8"
4"	7804	9"	10"	14 7/8"	4 1/2"
6"	7806	10 1/2"	12"	19 1/4"	5 1/2"
8"	7808	11 1/2"	14"	21 7/8"	6 3/4"
10"	7810	13"	18"	27"	8"
12"	7812	14"	18"	30"	9 1/2"
14"	7814	15"	22"	33 7/8"	10 1/2"

SIZE	MODEL	L	H	H1	W	M
16"	7816	20"	51 5/8"	14 1/2"	27 1/2"	25 3/4"
18"	7818	22"	57"	15 1/2"	31 1/4"	26 3/4"
20"	7820	24"	61 7/8"	17 1/2"	34 3/4"	28 3/4"
24"	7824	27"	67 3/8"	19 1/2"	39 5/8"	32"
30"	7830	30"	81 3/4"	24"	48 7/8"	36 3/4"
36"	7836	33"	90 1/4"	27 1/2"	56 1/4"	41 3/4"
42"	7842	36"	108 3/4"	31"	63 7/8"	46 3/4"
48"	7848	40"	118 1/4"	38"	71 1/2"	64 1/2"
54"	7854	40"	118 1/4"	38"	71 1/2"	64 1/2"
60"	7860	48"	148 1/8"	44"	89 3/4"	62 1/4"
66"	7866	48"	148 1/8"	44"	89 3/4"	62 1/4"

Larger Sizes Available - Contact us for information

SERIES 7900 - ROLLING DOUBLE DISC GATE VALVE - MJ - NRS - AWWA C500



SIZE	MODEL	L	H	H1
3"	7903	12"	13 1/2"	3 7/8"
4"	7904	12 1/8"	14 7/8"	4 1/2"
6"	7906	13 3/4"	19 1/4"	5 1/2"
8"	7908	14 3/4"	21 7/8"	6 3/4"
10"	7910	16 1/4"	27"	8"
12"	7912	17 1/4"	30"	9 1/2"
14"	7914	20 1/4"	33 3/4"	10 1/2"

SIZE	MODEL	L	H	H1	W	M
16"	7916	22 1/2"	49 1/2"	13 7/8"	27 1/2"	26 1/2"
18"	7918	25"	54 1/2"	14 7/8"	31 1/4"	27 1/2"
20"	7920	26"	59"	16 7/8"	34 3/4"	29 1/2"
24"	7924	30 1/2"	66 1/2"	19 1/8"	39 5/8"	33 3/4"
30"	7930	36"	81"	23 5/16"	48 7/8"	38 7/16"
36"	7936	40"	89 3/4"	26 3/4"	56 1/4"	42 1/8"
42"	7942	41"	106 1/4"	30 1/4"	63 15/16"	47 1/8"
48"	7948	44"	116 1/4"	36 7/16"	71 1/2"	64 1/2"

Design and Materials Subject to Change Without Notice. Call for Verification and Any Updated Drawings