

RESILIENT SEATED GATE VALVE

**SOLID WEDGE
AWWA C509
AWWA C515
SIZES: 2" - 108"**



 **J&S Valve**

SERIES 6000 - AWWA C509/C515

SIZES: 2" - 108"

2" OPERATING NUT OR HAND WHEEL

Ductile Iron

STEM

Stainless Steel
(Other Materials, Available)

SEAL PLATE

Ductile Iron

BONNET

Ductile Iron

STEM NUT

Low-Zinc
Aluminum Bronze

WEDGE

Ductile Iron
Encapsulated with
EPDM Rubber
(Other Elastomers, Available)

TRIPLE O-RING STEM SEALS

EPDM
(Other Elastomers, Available)

THRUST COLLAR

with 2 Brass
Thrust Washers

O-RING GASKET

EPDM
(Other Elastomers, Available)

NUTS, BOLTS, WASHERS

Stainless Steel

BODY

Ductile Iron

COATING

ANSI/NSF-61 Fusion Bond
Epoxy
(Inside and Outside per AWWA C550)

TYPES

Non-Rising Stem (NRS)
or Outside Screw and
Yoke (OS&Y)

END-CONNECTIONS

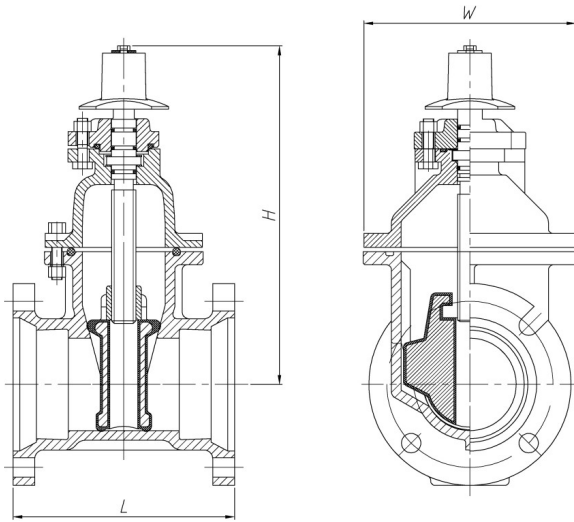
Flange or Mechanical Joint



Design and Materials Subject to Change Without Notice. Call for Verification and Any Updated Drawings

SERIES 6900

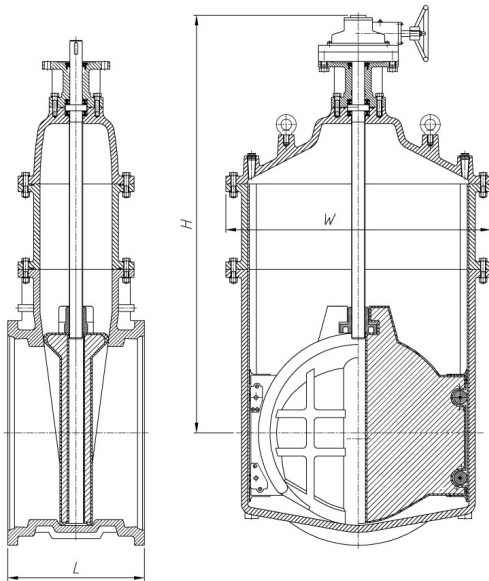
MJ • NRS • GATE VALVE • AWWA C509/C515



MJ X MJ, NRS, 2" - 12"

SIZE	MODEL	H	L	W
2"	6902	10 7/8"	8"	7 3/4"
3"	6903	13 3/4"	9"	8 1/4"
4"	6904	15 7/8"	10"	9 3/4"
6"	6906	19 1/8"	11 1/2"	12 1/4"
8"	6908	23 1/2"	12 1/2"	15 1/4"
10"	6910	26 1/4"	14 3/4"	18 3/4"
12"	6912	30 3/4"	14 7/8"	22 5/8"

Offered: Open Left or Open Right, Optional: Bevel or Spur Gear, Available.



MJ X MJ, NRS, 14" - 48"

SIZE	MODEL	H	L	W
14"	6914	34 1/2"	17"	22"
16"	6916	40 1/4"	17"	27 3/4"
18"	6918	40 1/4"	18"	27 3/4"
20"	6920	46 1/4"	20"	32 1/2"
24"	6924	52 1/2"	20 1/2"	39 3/4"
30"	6930	70"	24"	48 1/2"
36"	6936	81"	28"	55 1/2"
42"	6942	86"	36"	62 1/4"
48"	6948	96"	44"	68 3/4"

Offered: Open Left or Open Right. 18" & Larger - Gear Operator, Included - Specify Bevel or Spur Gear. 14" & 16" Optional Gear, Available. 30" and Larger have Rollers, Tracks and Scrapers on both sides for Vertical or Horizontal Installation. Optional, Integral By-Pass Available on 16" and Larger.

SERIES 6000 - AWWA C509/C515 (WHERE APPLICABLE)

SIZES: 54" - 108"

TYPE: NON-RISING STEM (NRS)

BODY

Ductile Iron

BONNET

Ductile Iron

SEAL PLATE

Ductile Iron

WEDGE

Ductile Iron
Mechanically Retained
EPDM Seat
(Other Elastomers Available)

STEM

Stainless Steel
(Other Materials Available)

STEM SEALS

EPDM
(Other Elastomers Available)

STEM NUT

Low-Zinc
Aluminum Bronze

TYPES

Non-Rising Stem (NRS)
or Outside Screw and
Yoke (OS&Y)



NUTS, BOLTS, WASHERS

Stainless Steel

COATING

ANSI/NSF-61 Fusion
Bond Epoxy
(Inside and Outside per AWWA C550)

BODY GASKET

EPDM
(Other Elastomers Available)

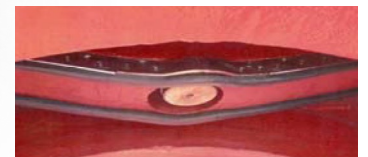
BY-PASS

Integral By-pass,
Available
(Sized per AWWA C500 Standard)

END-CONNECTION

Flange

SEATS



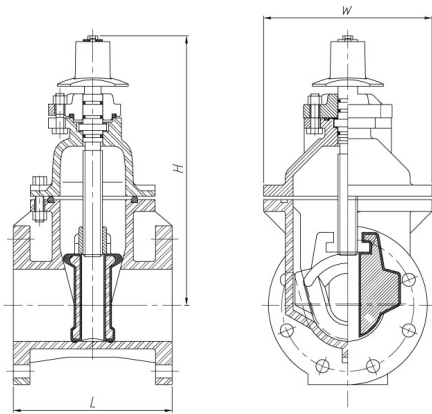
Mechanically Retained
Rubbers Seat
(Field Adjustable &
Replaceable)



Design and Materials Subject to Change Without Notice. Call for Verification and Any Updated Drawings

SERIES 6800

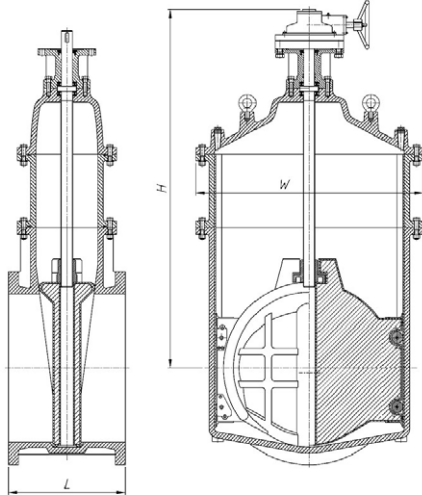
FL • NRS • GATE VALVE • AWWA C509/C515



F X F, NRS, 2" - 12"

SIZE	MODEL	H	L	W
2"	6802	10 7/8"	7"	7 3/4"
2 1/2"	68025	11 3/8"	7 1/2"	7 3/4"
3"	6803	13 3/4"	8"	8 1/4"
4"	6804	15 7/8"	9"	9 3/4"
6"	6806	19 1/8"	10 1/2"	12 1/4"
8"	6808	23 1/2"	11 1/2"	15 1/4"
10"	6810	26 1/4"	13"	18 3/4"
12"	6812	30 3/4"	14"	22 5/8"

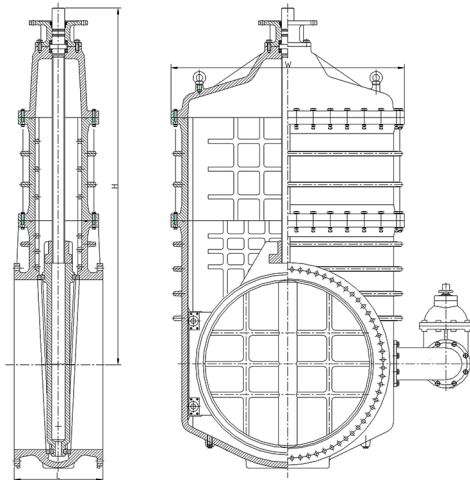
Offered Open Left or Open Right, 2" Operating Nut or Handwheel. Optional, Bevel or Spur Gear with 2" Operating Nut or Handwheel, Available.



F X F, NRS, 14" - 72"

SIZE	MODEL	H	L	W
14"	6814	30 3/4"	15"	23 1/2"
16"	6816	35 5/8"	16"	27 1/2"
18"	6818	37"	17"	27 1/2"
20"	6820	43 3/8"	18"	32"
24"	6824	49 7/8"	20"	39 1/4"
30"	6830	66 7/8"	24"	47 3/4"
36"	6836	76 1/2"	28"	56 5/8"
42"	6842	86"	36"	61 1/4"
48"	6848	96 1/4"	44"	67 5/8"
54"	6854	109"	42"	83 1/8"
60"	6860	127 1/8"	44"	84"
72"	6872	150"	48"	104 3/4"

Offered: Open Left or Open Right. 18" & Larger - Gear Operator, Included - Specify Bevel or Spur Gear with 2" Operating Nut or Handwheel, 14" & 16" Optional Gear, Available. 30" and Larger have Rollers, Tracks and Scrapers on both sides for Vertical or Horizontal Installation. Optional, Integral By-Pass Available on 16" and Larger.



F X F, NRS, 84" - 108"

SIZE	MODEL	H	L	W
84"	6884	174 1/2"	48"	124"
90"	6890	187 1/2"	54"	130"
96"	6896	200"	54"	138"
102"	68102	211"	57 1/2"	145 1/2"
108"	68108	223"	57 1/2"	154 1/2"

Offered: Open Left or Open Right. Gear Operator, Included - Specify Bevel or Spur Gear with 2" Operating Nut or Handwheel, 30" and Larger have Rollers, Tracks and Scrapers on both sides for Vertical or Horizontal Installation. Optional, Integral By-Pass Available.

Design and Materials Subject to Change Without Notice. Call for Verification and Any Updated Drawings

SERIES 6000 - AWWA C509/C515
SIZES: 2" - 108"
TYPE: OUTSIDE SCREW & YOKE (OS&Y)

BODY

Ductile Iron

BONNET

Ductile Iron

SEAL PLATE

Ductile Iron

WEDGE

Ductile Iron
Encapsulated with
EPDM Rubber
(Other Elastomers Available)

STEM

Stainless Steel
(Other Materials Available)

END-CONNECTION

Flange



STEM NUT

Stainless Steel

BODY GASKET

EPDM
(Other Elastomers Available)

**NUTS, BOLTS,
WASHERS**

Stainless Steel

COATING

ANSI/NSF-61 Fusion
Bond Epoxy
(Inside and Outside per AWWA C550)

BY-PASS

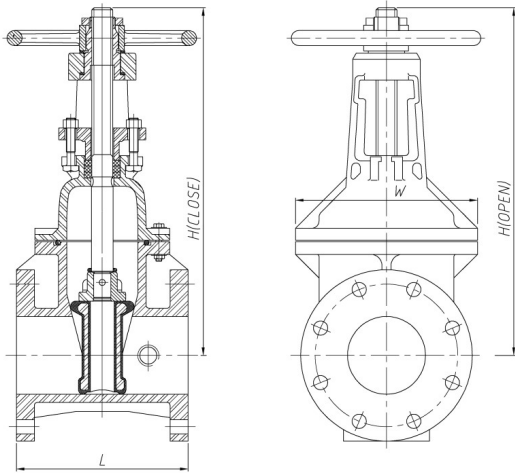
Integral By-pass,
Available
(Sized per AWWA C500 Standard)



Design and Materials Subject to Change Without Notice. Call for Verification and Any Updated Drawings

SERIES 6700

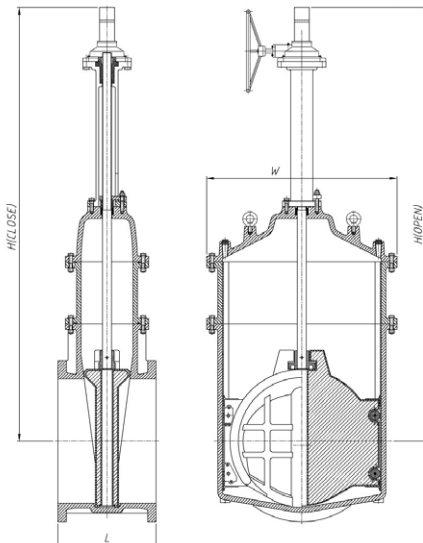
FL • OS&Y • GATE VALVE • AWWA C509/C515



F X F, OS&Y, 2" - 12"

SIZE	MODEL	H (OPEN)	H (CLOSE)	L	W
2"	6702	15 3/4"	13 3/8"	7"	7 3/4"
2 1/2"	67025	16 1/8"	14"	7 1/2"	7 3/4"
3"	6703	19 1/8"	16 1/2"	8"	8 1/4"
4"	6704	23 7/8"	19 5/8"	9"	9 3/4"
6"	6706	31 1/8"	25 1/8"	10 1/2"	12 1/4"
8"	6708	39 1/2"	31"	11 1/2"	15 1/4"
10"	6710	46 3/4"	39 1/8"	13"	18 3/4"
12"	6712	56"	44 3/8"	14"	22 5/8"

Offered: Open Left or Open Right. Optional, Bevel or Spur Gear with 2" Operating Nut or Handwheel, Available.

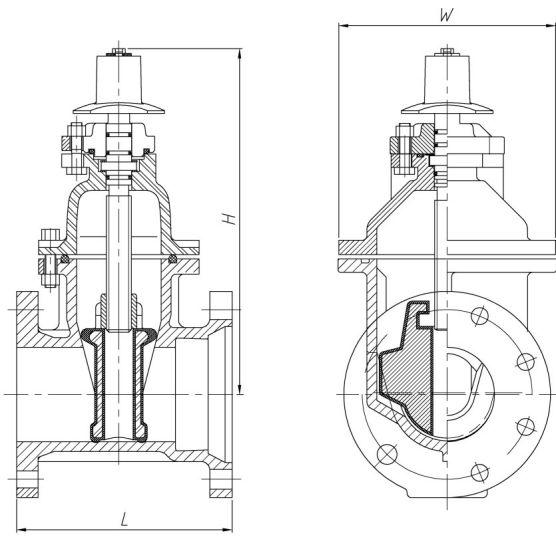


F X F, OS&Y, 14" - 48"

SIZE	MODEL	H (OPEN)	H (CLOSE)	L	W
14"	6714	64 1/8"	49 5/8"	15"	23 1/2"
16"	6716	76 1/8"	56 1/4"	16"	27 1/2"
18"	6718	80 1/2"	58 5/8"	17"	27 1/2"
20"	6720	96"	70"	18"	32"
24"	6724	110 1/2"	86 1/2"	20"	39 1/4"
30"	6730	136 7/8"	101 5/8"	24"	47 3/4"
36"	6736	159 1/8"	118 1/8"	28"	54 1/2"
42"	6742	177 7/8"	133 7/8"	36"	66 3/4"
48"	6748	215 3/8"	160"	44"	75 1/2"

Offered: Open Left or Open Right. 18" & Larger - Gear Operator, Included - Specify Bevel or Spur Gear with 2" Operating Nut or Handwheel. 14" & 16" Optional Gear, Available. 30" and Larger have Rollers, Tracks and Scrapers on both sides for Vertical or Horizontal Installation. Optional, Integral By-Pass Available on 16" and Larger. **Valves Larger than 48", Available.**

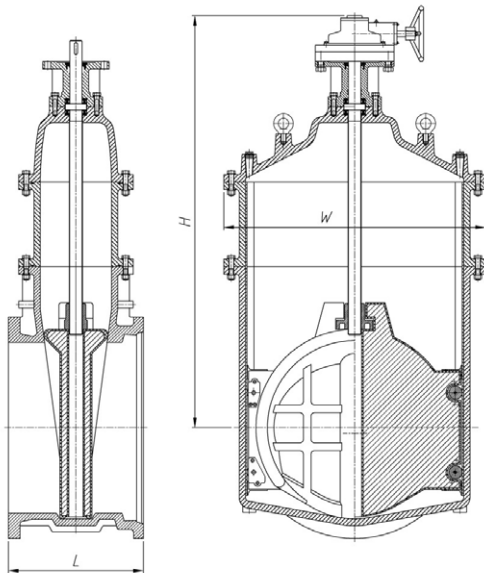
SERIES 6600 • FL X MJ • NRS GATE VALVE OR TAPPING VALVE • AWWA C509/C515



FL X MJ, NRS, 2" - 12"

SIZE	MODEL	H	L	W
2"	6602	10 7/8"	7 1/2"	7 3/4"
3"	6603	13 3/4"	8 1/2"	8 1/4"
4"	6604	15 7/8"	9 1/2"	9 3/4"
6"	6606	18 3/4"	11"	12 1/4"
8"	6608	22 3/4"	12"	15 1/4"
10"	6610	26 1/8"	14 1/4"	18 3/4"
12"	6612	30 3/4"	14 3/8"	22 5/8"

Offered: Open Left or Open Right. Optional Bevel or Spur Gear. Available. FL X MJ Tapping Valves with Guide Ring, Available - Order 6600T.



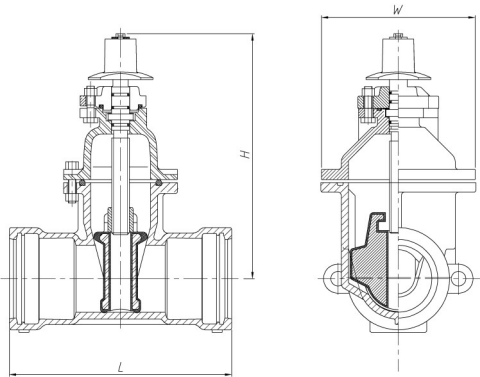
FL X MJ, NRS, 14" - 48"

SIZE	MODEL	H	L	W
14"	6614	34 1/2"	15"	22"
16"	6616	36 3/8"	16"	27 3/4"
18"	6618	39 5/8"	19"	27 3/4"
20"	6620	46 1/4"	19"	32 1/2"
24"	6624	52 1/2"	21 3/4"	39 3/4"
30"	6630	69 1/2"	24"	47 3/4"
36"	6636	79 3/4"	28"	54 1/4"
42"	6642	89 3/4"	36"	66 3/4"
48"	6648	99 5/8"	44"	75 1/2"

Offered: Open Left or Open Right. 18" & Larger - Gear Operator. Included - Specify Bevel or Spur Gear. 14" & 16" Optional Gear, Available. 30" and Larger have Rollers, Tracks and Scrapers on both sides for Vertical or Horizontal Installation. Optional, Integral By-Pass Available on 16" and Larger. FL X MJ Tapping Valves have Guide Rings Offered - Order 6600T.

Design and Materials Subject to Change Without Notice. Call for Verification and Any Updated Drawings

INSTALLATION DIMENSIONS

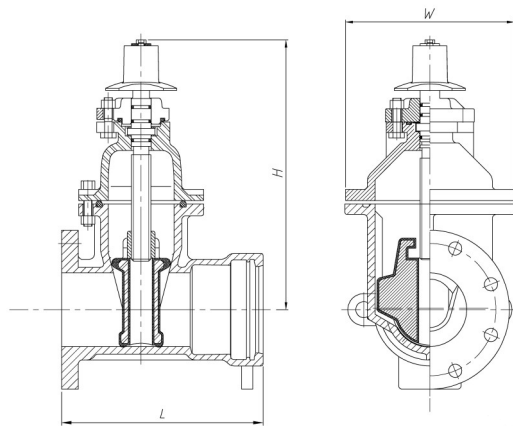


PO X PO, NRS, 4"-12"

SERIES 6500 • PUSH-ON X PUSH-ON NRS • GATE VALVE • AWWA C509/C515

SIZE	MODEL	H	L	W
4"	6504	15 7/8"	11"	9 3/4"
6"	6506	19 1/8"	12 3/4"	12 1/4"
8"	6508	23 1/2"	14 3/4"	15 1/4"
10"	6510	26 1/4"	15 3/4"	18 3/4"
12"	6512	30 3/4"	16 1/4"	22 5/8"

Offered: Open Left or Open Right. Optional Bevel or Spur Gear, Available

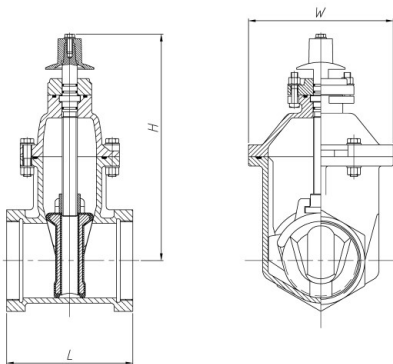


FL X PO, NRS, 4"-12"

SERIES 6400 • FL X PUSH-ON NRS • GATE VALVE • AWWA C509/C515

SIZE	MODEL	H	L	W
4"	6404	15 7/8"	11"	9 3/4"
6"	6406	19 1/8"	12 3/4"	12 1/4"
8"	6408	23 1/2"	14 3/4"	15 1/4"
10"	6410	26 1/4"	15 3/4"	18 3/4"
12"	6412	30 3/4"	16 1/4"	22 5/8"

Offered: Open Left or Open Right. Optional Bevel or Spur Gear, Available



TH X TH, NRS, 2"- 3"

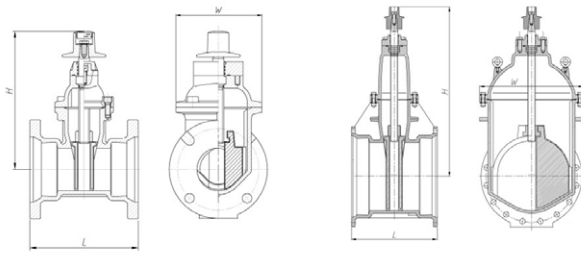
SERIES 6300 • TH X TH NRS • GATE VALVE • AWWA C509/C515

SIZE	MODEL	H	L	W
2"	6302	9 1/4"	6"	7 3/4"
2 1/2"	63025	11 3/4"	6 3/4"	7 3/4"
3"	6303	11 3/4"	7 1/8"	8 1/4"

Offered: Open Left or Open Right. Optional Bevel or Spur Gear, Available

SERIES 6000.5 • GATE VALVE AWWA C515 • REDUCED WALL

SERIES 6900.5 - MJ • NRS • 2" - 24"



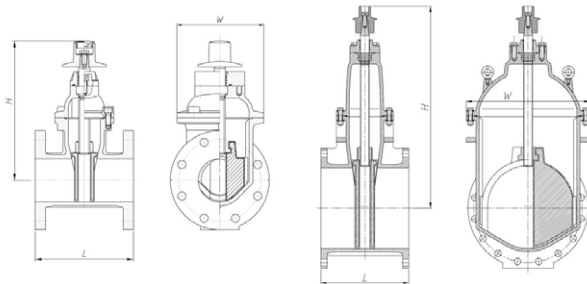
Sizes 2"-12"

Sizes 14"-24"

Offered: Open Left or Open Right. Optional Bevel Gear or Spur Gear Available for valves under 18". Valves 18" & Larger include Gear Operator - Specify Bevel or Spur Gear. Optional Integral By-Pass Available on Larger Sizes. **Valves Larger than 24" Available.**

SIZE	MODEL	H	L	W
2"	6902.5	9 7/8"	9 1/4"	5"
3"	6903.5	12 1/2"	9 1/2"	7"
4"	6904.5	13 5/8"	10"	8"
6"	6906.5	19 1/4"	11 1/2"	10 1/2"
8"	6908.5	22 1/2"	12 1/2"	13 1/2"
10"	6910.5	25"	14 3/4"	15 3/4"
12"	6912.5	28"	14 7/8"	18 3/4"
14"	6914.5	32 1/4"	17"	21 1/4"
16"	6916.5	34 7/8"	17"	23 1/4"
18"	6918.5	41 1/8"	17"	27 1/4"
20"	6920.5	42 3/4"	18"	30 1/4"
24"	6924.5	50 3/4"	20"	35 1/2"

SERIES 6800.5 - FL • NRS • 2" - 24"



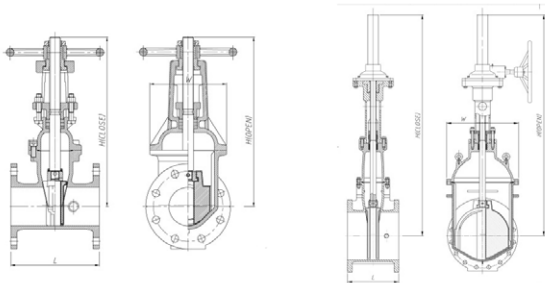
Sizes 2"-12"

Sizes 14"-24"

Offered Open Left or Open Right. 2" Operating Nut or Handwheel. Optional Bevel Gear or Spur Gear Available for valves under 18". Valves 18" & Larger include Gear Operator - Specify Bevel or Spur Gear with 2" Operating Nut or Handwheel. Optional Integral By-Pass Available on Larger Sizes. **Valves Larger than 24" Available.**

SIZE	MODEL	H	L	W
2"	6802.5	9 7/8"	7"	5"
2 1/2"	68025.5	11"	7 1/2"	6"
3"	6803.5	12 1/2"	8"	7"
4"	6804.5	13 5/8"	9"	8"
6"	6806.5	19 1/4"	10 1/2"	10 1/2"
8"	6808.5	22 1/2"	11 1/2"	13 1/2"
10"	6810.5	25"	13"	15 3/4"
12"	6812.5	28"	14"	18 3/4"
14"	6814.5	32 1/4"	15"	21 1/4"
16"	6816.5	34 7/8"	16"	23 1/4"
18"	6818.5	41 1/8"	17"	27 1/4"
20"	6820.5	42 3/4"	18"	30 1/4"
24"	6824.5	50 3/4"	20"	35 1/2"

SERIES 6700.5 - FL • OS&Y • 2" - 24"



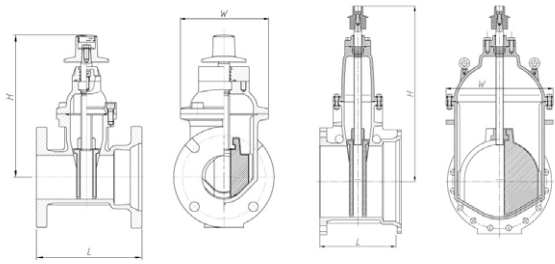
Sizes 2"-12"

Sizes 14"-24"

Offered Open Left or Open Right Handwheel. Optional Bevel Gear or Spur Gear Available for valves under 18". Valves 18" & Larger include Gear Operator - Specify Bevel or Spur Gear with 2" Operating Nut or Handwheel. Optional Integral By-Pass Available on Larger Sizes. **Valves Larger than 24" Available.**

SIZE	MODEL	H (CLOSE)	H (OPEN)	L	W
2"	6702.5	15 3/8"	15 1/4"	7"	5"
2 1/2"	67025.5	16"	16 5/8"	7 1/2"	6"
3"	6703.5	19"	19 1/4"	8"	7"
4"	6704.5	24"	22"	9"	8"
6"	6706.5	31 1/8"	29 5/8"	10 1/2"	10 1/2"
8"	6708.5	39 1/2"	37 1/4"	11 1/2"	13 1/2"
10"	6710.5	46 3/4"	45 1/4"	13"	15 3/4"
12"	6712.5	52"	52 3/4"	14"	18 3/4"
14"	6714.5	62"	64"	15"	21 1/4"
16"	6716.5	70 3/8"	76 1/2"	16"	23 1/4"
18"	6718.5	79 1/2"	82"	17"	27 1/4"
20"	6720.5	89 5/8"	94 1/2"	18"	30 1/4"
24"	6724.5	102 3/8"	103 5/8"	20"	35 1/2"

SERIES 6600.5 - FL X MJ • NRS • 2" - 24"



Sizes 2"-12"

Sizes 14"-24"

Offered: Open Left or Open Right. Optional Bevel Gear or Spur Gear Available for valves under 18". Valves 18" & Larger include Gear Operator - Specify Bevel or Spur Gear with 2" Operating Nut or Handwheel. Optional Integral By-Pass Available on Larger Sizes. **Valves Larger than 24" Available.** FL X MJ Tapping Valves have Guide Ring Offered - Order Series 6600T

SIZE	MODEL	H	L	W
2"	6602.5	9 7/8"	8 1/8"	5"
3"	6603.5	12 1/2"	8 3/4"	7"
4"	6604.5	13 1/2"	9 1/2"	8"
6"	6606.5	19 1/4"	11"	10 1/2"
8"	6608.5	22 1/2"	12"	13 1/2"
10"	6610.5	25"	13 7/8"	15 3/4"
12"	6612.5	28"	14 1/2"	18 3/4"
14"	6614.5	32 1/4"	16 1/2"	21 1/4"
16"	6616.5	34 7/8"	16 1/2"	23 1/4"
18"	6618.5	41 1/8"	17"	27 1/4"
20"	6620.5	42 3/4"	18"	30 1/4"
24"	6624.5	50 3/4"	20"	35 1/2"

Design and Materials Subject to Change Without Notice. Call for Verification and Any Updated Drawings

AWWA C509 AND C515 RESILIENT SEATED GATE VALVE AND RESILIENT SEATED TAPPING VALVE SPECIFICATION

1. SCOPE

1.01 This specification covers design, manufacture, and testing of 3-inch through 108-inch, Resilient Seated Gate Valves, and Resilient Seated Tapping Valves suitable for water or wastewater service as set forth in American Water Works Association (AWWA) Standard C509 or C515, most recent published version.

2. STANDARDS

- 2.01** Valves 3-inch through 54-inch shall have a minimum cold-water working pressure of 250psig. Valves larger than 54-inch cold-water pressure rating on application and as agreed between the manufacture and customer. Valves larger than 54-inch, where applicable, shall be manufactured in compliance with AWWA C515. Any size valve larger than those covered by the AWWA standard shall be manufactured in compliance with the standard, as applicable.
- 2.02** Valves shall be designed and manufactured in accordance with the AWWA C509 & C515, ANSI/NSF 61 and ANSI/NSF 372 Certified for use in drinking water, and UL and FM Listed for use in Fire Protection.
- 2.03** Valves shall be tested in accordance with Testing Section 5.1 AWWA C509 & C515.

3. CONNECTIONS

- 3.01** Valve end-connections shall be:
- A.** Flange end-connections in accordance with ANSI B16.1, Class 125, rated for 250psig, or ANSI B16.42, Class 250 rated for 350psig.
 - B.** Mechanical Joint - ANSI/AWWA C110/A21.10, ANSI/AWWA C111/A21.11, or ANSI/AWWA C153/21.53.
 - C.** Push On - ANSI/AWWA C111/A21.11.
 - D.** Or a combination with the flange connections.
- 3.02** Valves for Tapping, 3-inch through 48", shall be mechanical joints by tapping flange. 54" and larger, shall be flange by flange. The tapping valve shall have unobstructed waterway. The port area shall be large diameter to the permit entry of the full diameter tapping machine cutters. Valve end shall mate with the tapping sleeve and shall have an alignment lip to fit the recess in the tapping sleeve flange for proper alignment. The lip will be dimensioned in accordance with MSS SP-60.

4. DESIGN

- 4.01** Valve shall be non-rising stem (NRS) or outside screw and yoke (OS&Y) configurations, as specified.
- 4.02** Valve shall have full nominal port diameter; reduced port not acceptable; no venturi pattern.
- 4.03** Valve shall have a full-port, unobstructed, water way when in the full-open position.
- 4.04** Valve shall have synthetic rubber seating area on the wedge to allow for zero leakage at rated pressure.
- 4.05** Valves 3-inch through 48-inch shall have solid wedge, totally encapsulated in rubber. Valve 54-inch and larger shall have solid wedge with mechanically retained rubber seat.
- 4.06** Valves OS&Y must have multiple rings of packing and a stuffing box.
- 4.07** Valve shall permit repacking under line pressure.
- 4.08** Valve stem shall have one-piece integral thrust collar. Valve stems shall rotate freely in the valve bonnet recess.
- 4.09** Valve shall have triple elastomer o-ring seals.
- 4.10** Valve direction of open shall be counterclockwise, unless otherwise specified.
- 4.11** Valve 2-inch operating nut or handwheel shall have cast the word "OPEN" and an arrow indicating the direction to open.
- 4.12** Valves, 16-inch and larger, shall have a by-pass valve, when specified.

- 4.13** Valves, 30-inch and larger, shall be 3-piece body design; bonnet, body spacer, body.
- 4.14** Valves, 30-inch and larger, shall have rollers, tracks and scrapers on both sides of the body to allow for vertical or horizontal installation which maintains a smooth surface between the rubber seating area and the track, guiding the wedge through full travel of operation.
- 4.15** Valve, by-pass valves, integral to the valve body and shall be sized per AWWA C500, Section 4.4, Table 11 and shall be open left unless otherwise requested. By-pass valve shall be provided with a 2-inch operating nut or handwheel, as specified.
- 4.16** Valve castings shall be marked as required in the AWWA C509 or C515 Standards.

5. MATERIALS

- 5.01** Valve body, bonnet, wedge, 2-inch operating nut or handwheel shall be constructed of ductile iron, ASTM-A526 65-45-12.
- 5.02** Valve stem shall be Series 300 Stainless Steel, unless otherwise specified.
- 5.03** Valve body and bonnet bolting shall be Series 300 Stainless Steel, unless otherwise specified.
- 5.04** Valve elastomer gaskets and o-rings shall be constructed of EPDM, unless another elastomer is specified.
- 5.05** Valves, 30-inch and larger, shall have Series 300 Stainless Steel rollers and tracks with bronze scrapers on both sides.
- 5.06** Valve wedges, 3-inch through 48-inch, shall be fully encapsulated in EPDM elastomer, unless another elastomer is specified.
- 5.07** Valve wedges, 54-inch and larger, shall be EPDM elastomer, mechanically retained, unless another elastomer is specified.
- 5.08** Valves 54-inch and larger shall have full-port. Valves with reduced port shall not acceptable.

6. COATINGS

- 6.01** Valve internal and external coatings shall be NSF 61 and 372 Certified Fusion Bonded Epoxy or 2-Part Thermal Setting Liquid Epoxy.
- 6.02** Valve internal and external coatings shall be in accordance with AWWA C550.

7. MANUAL GEARING

- 7.01** Valves 18-inch and larger shall have bevel gearing or spur gearing depending on the application requirements. Bevel Gears or Spur Gears can be adapted to any size valve upon request.
- 7.02** Valve gear case fully enclosed, unless otherwise specified

8. OPTIONS

- 8.01** Extension Stems.
- 8.02** Position Indicators.
- 8.03** Valve Boxes.
- 8.04** Indicator Posts.
- 8.05** Electric Motor Operators.
- 8.06** Limit Switches.

9. MANUFACTURER

- 9.01** Valves shall be hydrostatically, and leak tested per AWWA C509 or C515. When requested, the manufacturer shall provide test certificates, dimensional drawings, parts list drawings, and operation and maintenance manuals.
- 9.02** Valves shall be Series 6000 as manufactured by J&S Valve, Inc. Huffman, TX, USA, or preapproved equal. (10062019 jb sb rl)

IMPROVING THE INDUSTRY STANDARD.



INSTALL RELIABILITY. INSTALL J&S VALVE

J&S Valve shows its commitment to providing quality products by manufacturing with highest grade materials and extensive testing of its valves. J&S is a leader in the Waterworks Industry. We provide products and services that consistently exceed our customers' needs as they relate to quality, performance, dependability, operation, and delivery.



2323 1st Street Huffman, Texas 77336

T: 281.324.3990 | F: 281.324.6879 | E: Sales@jandsvalve.com

JANDSVALVE.COM