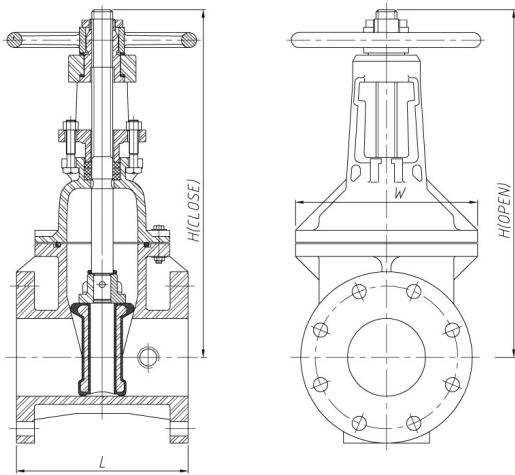


SERIES 6700

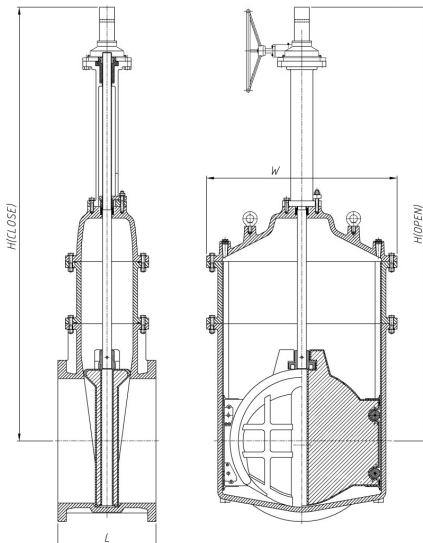
FL • OS&Y • GATE VALVE • AWWA C509/C515



F X F, OS&Y, 2" - 12"

SIZE	MODEL	H (OPEN)	H (CLOSE)	L	W
2"	6702	15 3/4"	13 3/8"	7"	7 3/4"
2 1/2"	67025	16 1/8"	14"	7 1/2"	7 3/4"
3"	6703	19 1/8"	16 1/2"	8"	8 1/4"
4"	6704	23 7/8"	19 5/8"	9"	9 3/4"
6"	6706	31 1/8"	25 1/8"	10 1/2"	12 1/4"
8"	6708	39 1/2"	31"	11 1/2"	15 1/4"
10"	6710	46 3/4"	39 1/8"	13"	18 3/4"
12"	6712	56"	44 3/8"	14"	22 5/8"

Offered: Open Left or Open Right. Optional, Bevel or Spur Gear with 2" Operating Nut or Handwheel, Available.



F X F, OS&Y, 14" - 48"

SIZE	MODEL	H (OPEN)	H (CLOSE)	L	W
14"	6714	64 1/8"	49 5/8"	15"	23 1/2"
16"	6716	76 1/8"	56 1/4"	16"	27 1/2"
18"	6718	80 1/2"	58 5/8"	17"	27 1/2"
20"	6720	96"	70"	18"	32"
24"	6724	110 1/2"	86 1/2"	20"	39 1/4"
30"	6730	136 7/8"	101 5/8"	24"	47 3/4"
36"	6736	159 1/8"	118 1/8"	28"	54 1/2"
42"	6742	177 7/8"	133 7/8"	36"	66 3/4"
48"	6748	215 3/8"	160"	44"	75 1/2"

Offered: Open Left or Open Right. 18" & Larger - Gear Operator, Included - Specify Bevel or Spur Gear with 2" Operating Nut or Handwheel. 14" & 16" Optional Gear, Available. 30" and Larger have Rollers, Tracks and Scrapers on both sides for Vertical or Horizontal Installation. Optional, Integral By-Pass Available on 16" and Larger. **Valves Larger than 48", Available.**