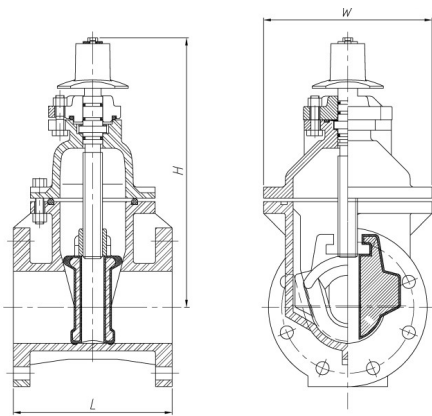
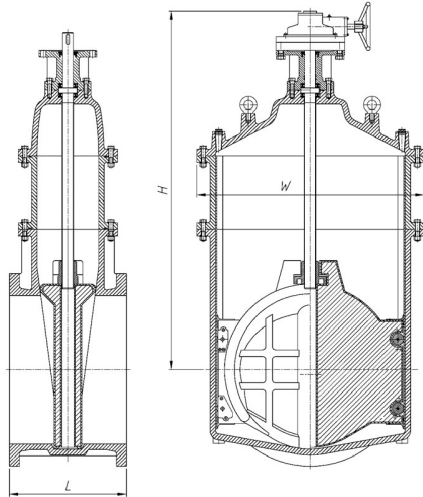


SERIES 6800

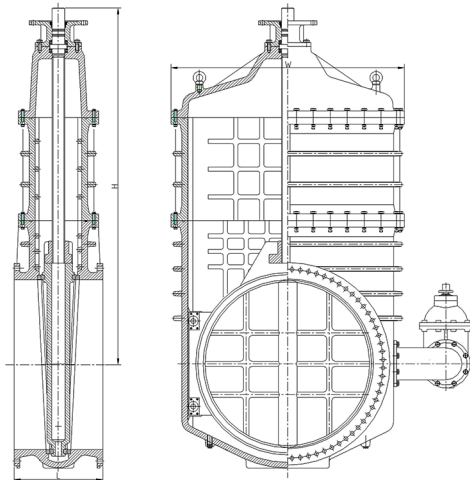
FL • NRS • GATE VALVE • AWWA C509/C515



F X F, NRS, 2" - 12"



F X F, NRS, 14" - 72"



F X F, NRS, 84" - 108"

SIZE	MODEL	H	L	W
2"	6802	10 7/8"	7"	7 3/4"
2 1/2"	68025	11 3/8"	7 1/2"	7 3/4"
3"	6803	13 3/4"	8"	8 1/4"
4"	6804	15 7/8"	9"	9 3/4"
6"	6806	19 1/8"	10 1/2"	12 1/4"
8"	6808	23 1/2"	11 1/2"	15 1/4"
10"	6810	26 1/4"	13"	18 3/4"
12"	6812	30 3/4"	14"	22 5/8"

Offered Open Left or Open Right, 2" Operating Nut or Handwheel. Optional, Bevel or Spur Gear with 2" Operating Nut or Handwheel, Available.

SIZE	MODEL	H	L	W
14"	6814	30 3/4"	15"	23 1/2"
16"	6816	35 5/8"	16"	27 1/2"
18"	6818	37"	17"	27 1/2"
20"	6820	43 3/8"	18"	32"
24"	6824	49 7/8"	20"	39 1/4"
30"	6830	66 7/8"	24"	47 3/4"
36"	6836	76 1/2"	28"	56 5/8"
42"	6842	86"	36"	61 1/4"
48"	6848	96 1/4"	44"	67 5/8"
54"	6854	109"	42"	83 1/8"
60"	6860	127 1/8"	44"	84"
72"	6872	150"	48"	104 3/4"

Offered: Open Left or Open Right. 18" & Larger - Gear Operator, Included - Specify Bevel or Spur Gear with 2" Operating Nut or Handwheel, 14" & 16" Optional Gear, Available. 30" and Larger have Rollers, Tracks and Scrapers on both sides for Vertical or Horizontal Installation. Optional, Integral By-Pass Available on 16" and Larger.

SIZE	MODEL	H	L	W
84"	6884	174 1/2"	48"	124"
90"	6890	187 1/2"	54"	130"
96"	6896	200"	54"	138"
102"	68102	211"	57 1/2"	145 1/2"
108"	68108	223"	57 1/2"	154 1/2"

Offered: Open Left or Open Right. Gear Operator, Included - Specify Bevel or Spur Gear with 2" Operating Nut or Handwheel, 30" and Larger have Rollers, Tracks and Scrapers on both sides for Vertical or Horizontal Installation. Optional, Integral By-Pass Available.

Design and Materials Subject to Change Without Notice. Call for Verification and Any Updated Drawings