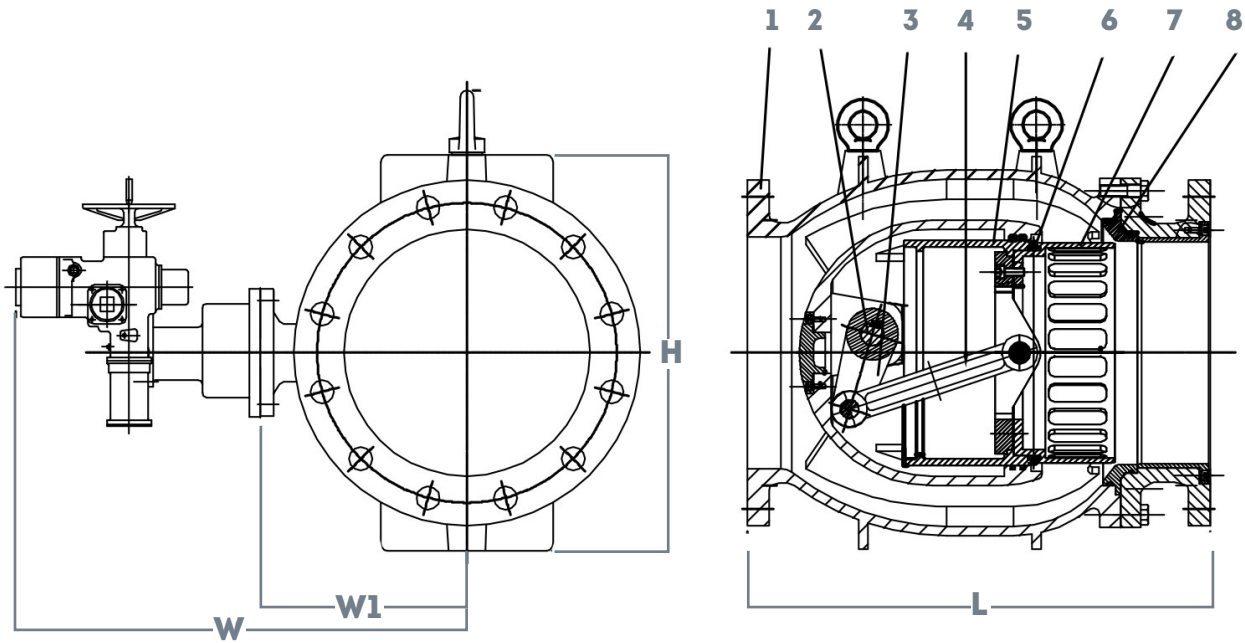
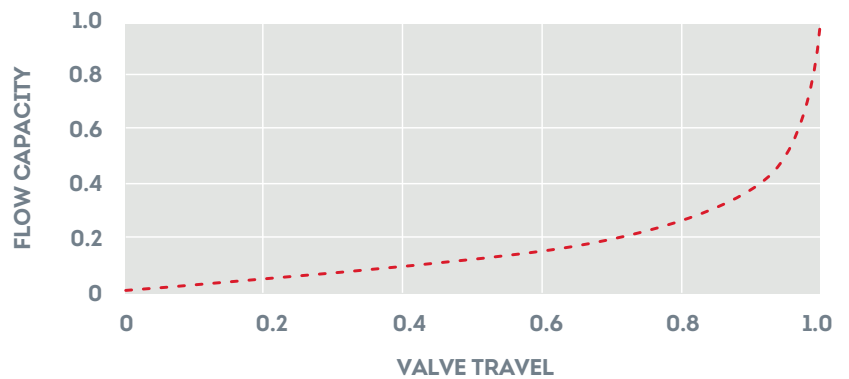


INSTALLATION DIMENSIONS



No.	PART NAME	MATERIALS
1	Body	Ductile Iron ASTM A536 65-45-12
2	Stem	Stainless Steel 304
3	Crank	Stainless Steel 304
4	Rocker	Stainless Steel 304
5	Cylinder	Stainless Steel 304
6	Sealing Ring	EPDM
7	Cage	Stainless Steel 304
8	Seat	Stainless Steel 304

FLOW CHARACTERISTICS



DIMENSIONS - PLUNGER VALVE SERIES 8000

MODEL	8008	8010	8012	8016	8018	8020	8024	8030	8036	8042	8048	8054	8060	8072
SIZE	8"	10"	12"	16"	18"	20"	24"	30"	36"	42"	48"	54"	60"	72"
L	15.7"	19.7"	23.6"	31.5"	35.4"	39.4"	47.2"	59"	70.9"	82.5"	94.5"	106"	118"	140"
H	18"	22"	23.5"	31"	31.5"	35.4"	43"	48"	56"	68"	72"	78.5"	97"	120.5"
W1	8"	10"	11.5"	15.5"	16.5"	18"	24"	26"	33"	35.5"	38.5"	41"	51"	59"
W	20"	23"	24"	28"	30"	32"	33"	37"	42"	47"	51"	59"	70"	80"